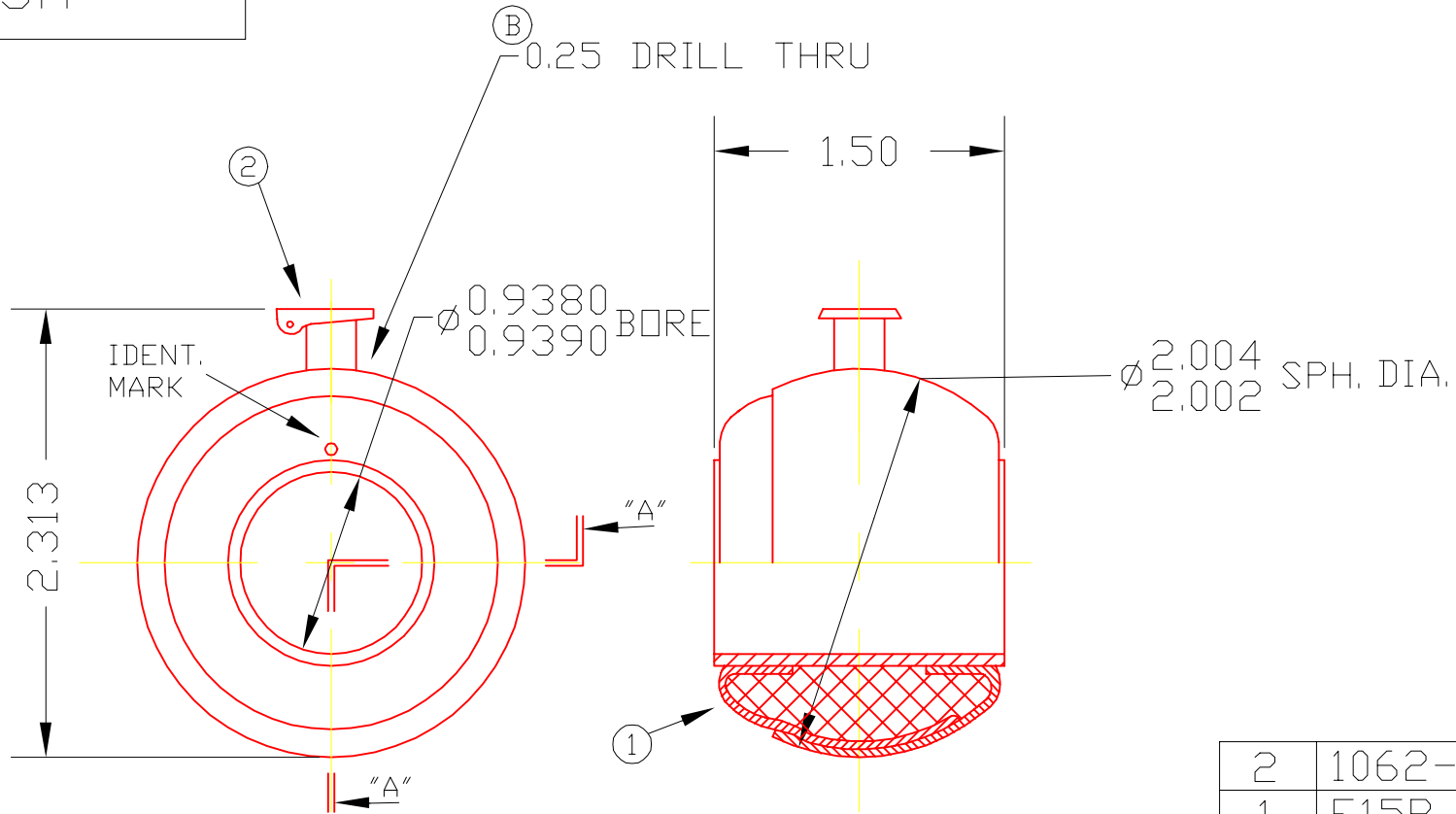


E15A



SECTION "A-A"

2	1062-6	OIL CUP	1
1	E15P	BRG. BALL	1
DET	PART NUMBER	DESCRIPTION	AMT

▲ TRIANGLE MANUFACTURING CO.  
OSHKOSH, WI.

NAME BRG. BALL, STAMPED

USED IN E SERIES

DATE 12-26-61 PART NO.

DRAWN LML

CHECKED SP

SCALE 1 / 1

E15A

FIT	////
PLATING	////
MATERIAL	SEE DETAILS
ALL DIMS.	±.020 UNLESS OTHERWISE SPECIFIED

CHANGE LEVEL
B 9-3-74