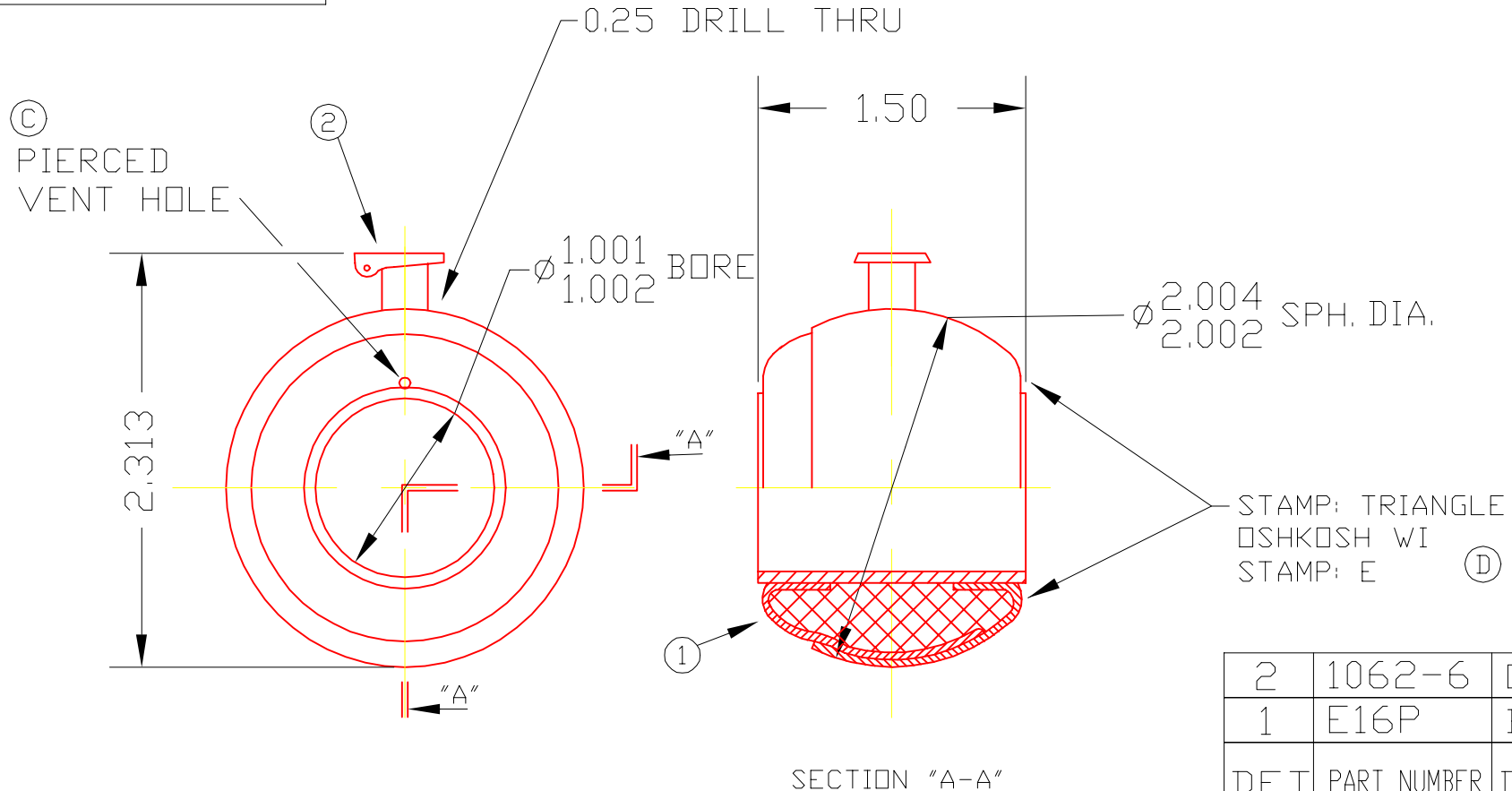


E16A



STAMP: TRIANGLE  
 OSHKOSH WI  
 STAMP: E (D)

2	1062-6	OIL CUP	1
1	E16P	BRG. BALL	1
DET	PART NUMBER	DESCRIPTION	AMT

△ TRIANGLE MANUFACTURING CO.  
 OSHKOSH, WI.

NAME BRG. BALL, STAMPED

USED IN E SERIES

DATE 12-27-61	PART NO.
DRAWN LML	E16A
CHECKED SP	
SCALE 1 / 1	

FIT	////
PLATING	////
MATERIAL	SEE DETAILS
ALL DIMS. ±.020 UNLESS OTHERWISE SPECIFIED	

CHANGE LEVEL
D 02-19-02