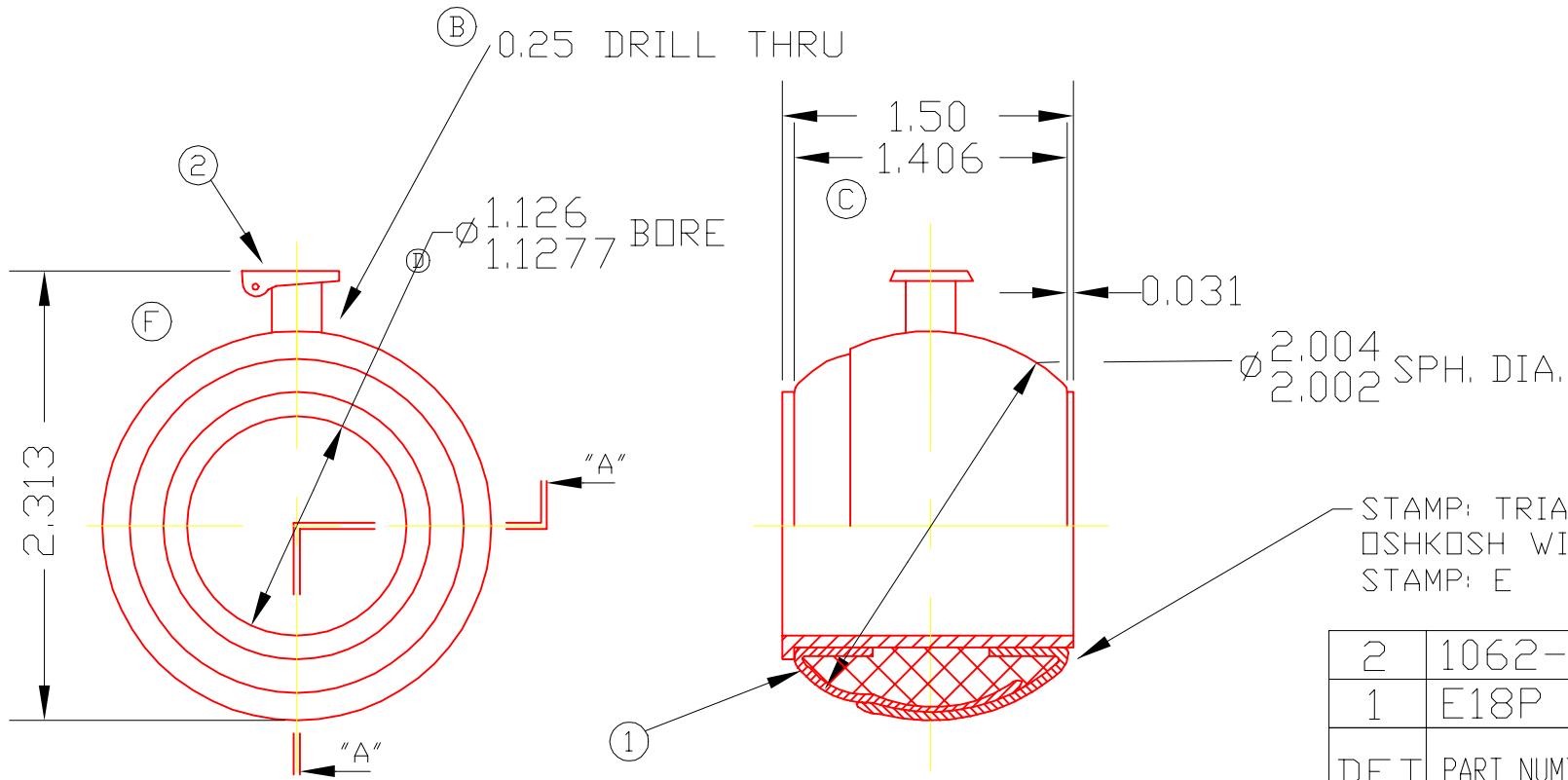


E18A



STAMP: TRIANGLE
 OSHKOSH WI
 STAMP: E (E)

2	1062-6	OIL CUP	1
1	E18P	BRG. BALL	1
DET	PART NUMBER	DESCRIPTION	AMT

▲ TRIANGLE MANUFACTURING CO.
 OSHKOSH, WI.

NAME BRG. BALL, STAMPED

USED IN E SERIES

DATE 12-27-61 PART NO.

DRAWN LML

CHECKED SP

SCALE 1 / 1

E18A

FIT	////
PLATING	////
MATERIAL	SEE DETAILS
ALL DIMS.	±.020 UNLESS OTHERWISE SPECIFIED

CHANGE LEVEL	
F	10-11-04