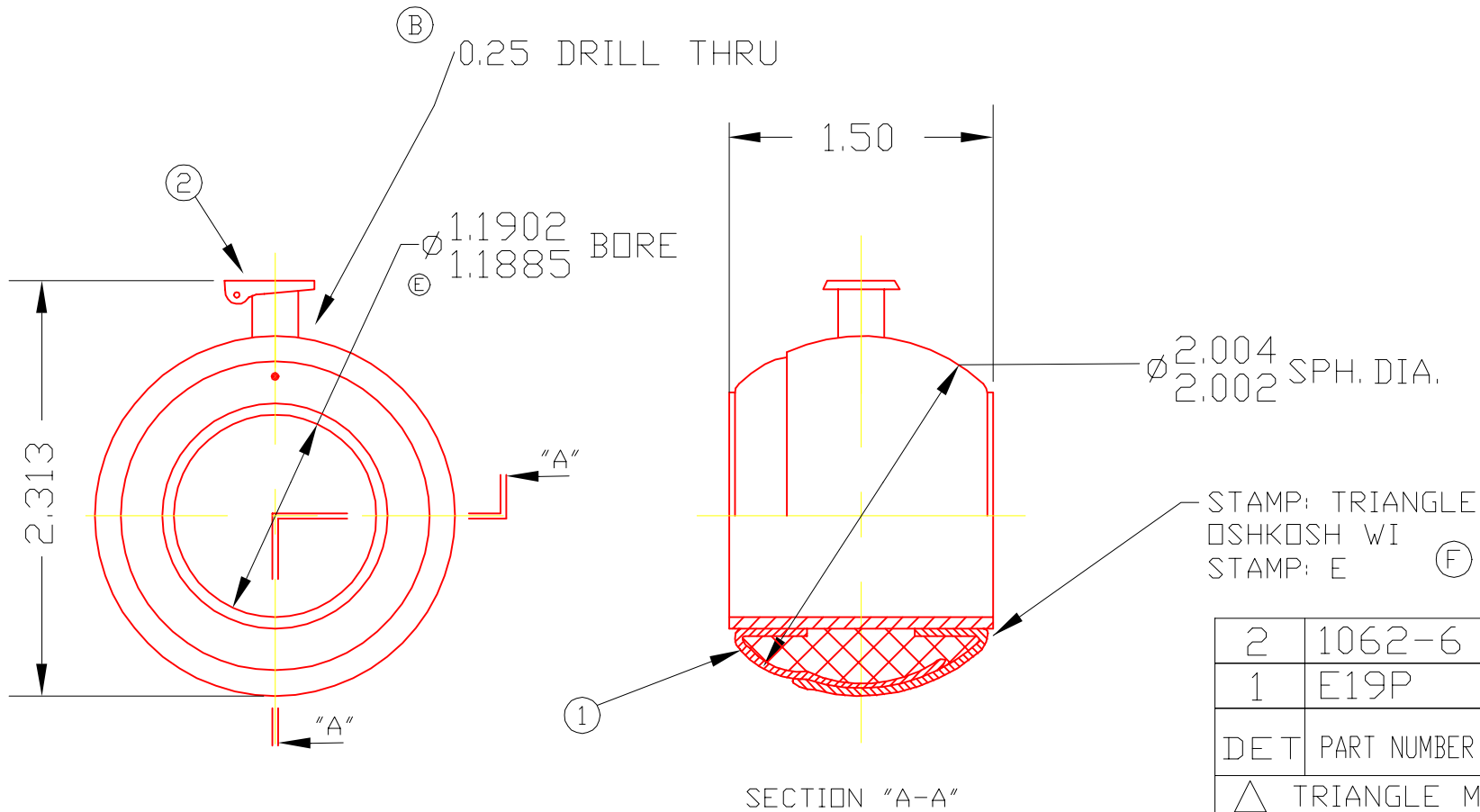


E19A



2	1062-6	OIL CUP	1
1	E19P	BRG. BALL	1
DET	PART NUMBER	DESCRIPTION	AMT

△ TRIANGLE MANUFACTURING CO.  
 OSHKOSH, WI.

NAME BRG. BALL, STAMPED

USED IN E SERIES

DATE	12-27-61	PART NO.
DRAWN	LML	E19A
CHECKED	SP	
SCALE	1 / 1	

FIT	////
PLATING	////
MATERIAL	SEE DETAILS
ALL DIMS. ±.020 UNLESS OTHERWISE SPECIFIED	

CHANGE LEVEL
G 04-14-04