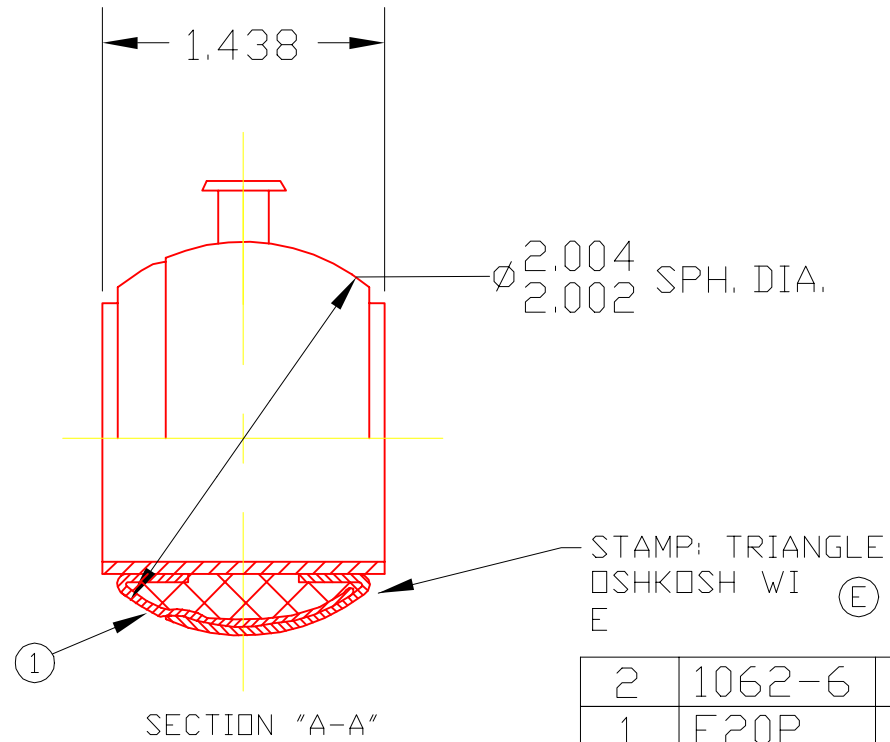
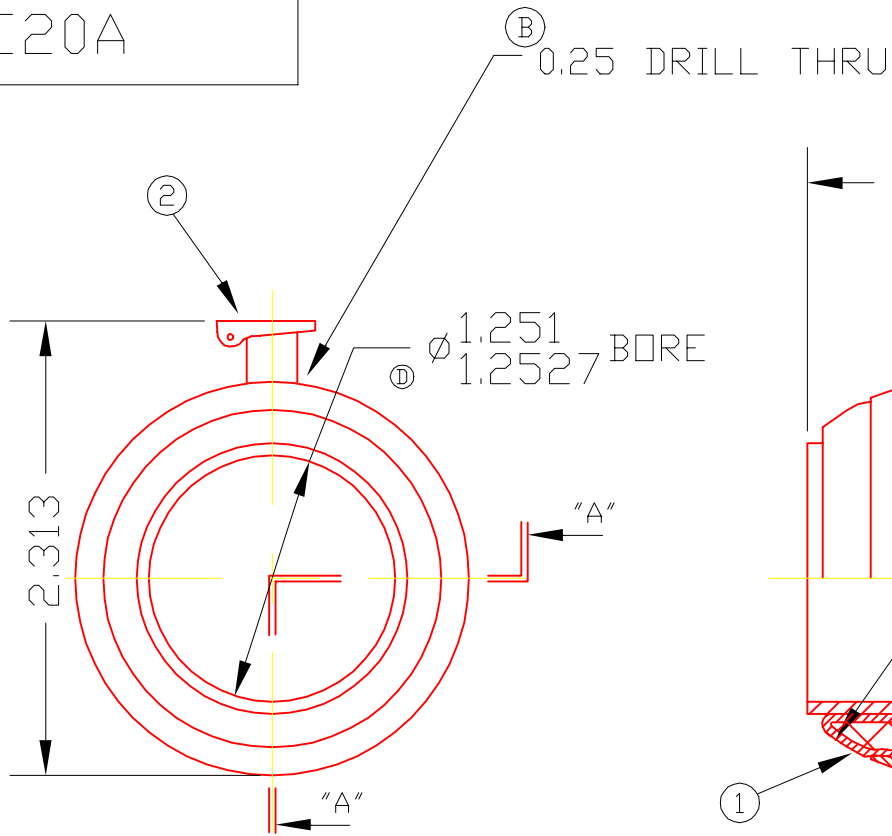


E20A



2	1062-6	OIL CUP	1
1	E20P	BRG. BALL	1
DET	PART NUMBER	DESCRIPTION	AMT

△ TRIANGLE MANUFACTURING CO.
OSHKOSH, WI.

NAME BRG. BALL, STAMPED

USED IN E SERIES

DATE 12-28-61

PART NO.

DRAWN LML

CHECKED SP

SCALE 1 / 1

E20A

FIT	////
PLATING	////
MATERIAL	SEE DETAILS
ALL DIMS. ±.020 UNLESS OTHERWISE SPECIFIED	

CHANGE LEVEL	
E	03-18-02