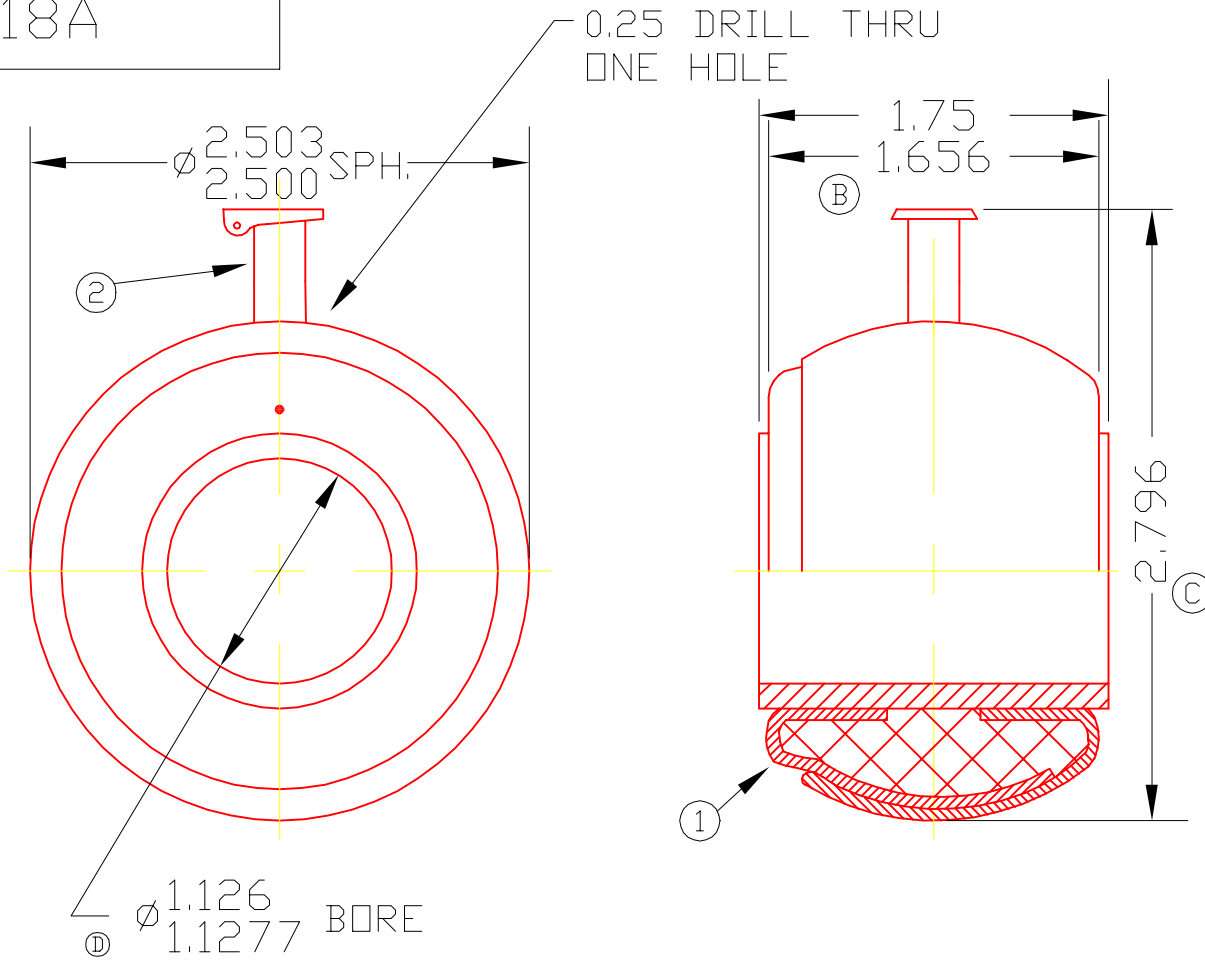


F18A



A	2	1062-6	OIL CUP	1
	1	F18P	BRG. BALL	1
DET	PART NUMBER	DESCRIPTION	AMT	

TRIANGLE MANUFACTURING CO.
OSHKOSH, WI.

NAME BRG. BALL, STAMPED

USED IN F SERIES

DATE 2-20-62

PART NO.

DRAWN LML

CHECKED SP

SCALE 1 / 1

F18A

FIT	////
PLATING	////
MATERIAL	SEE DETAILS
ALL DIMS. ±.020 UNLESS OTHERWISE SPECIFIED	

CHANGE LEVEL	
D	02-17-99