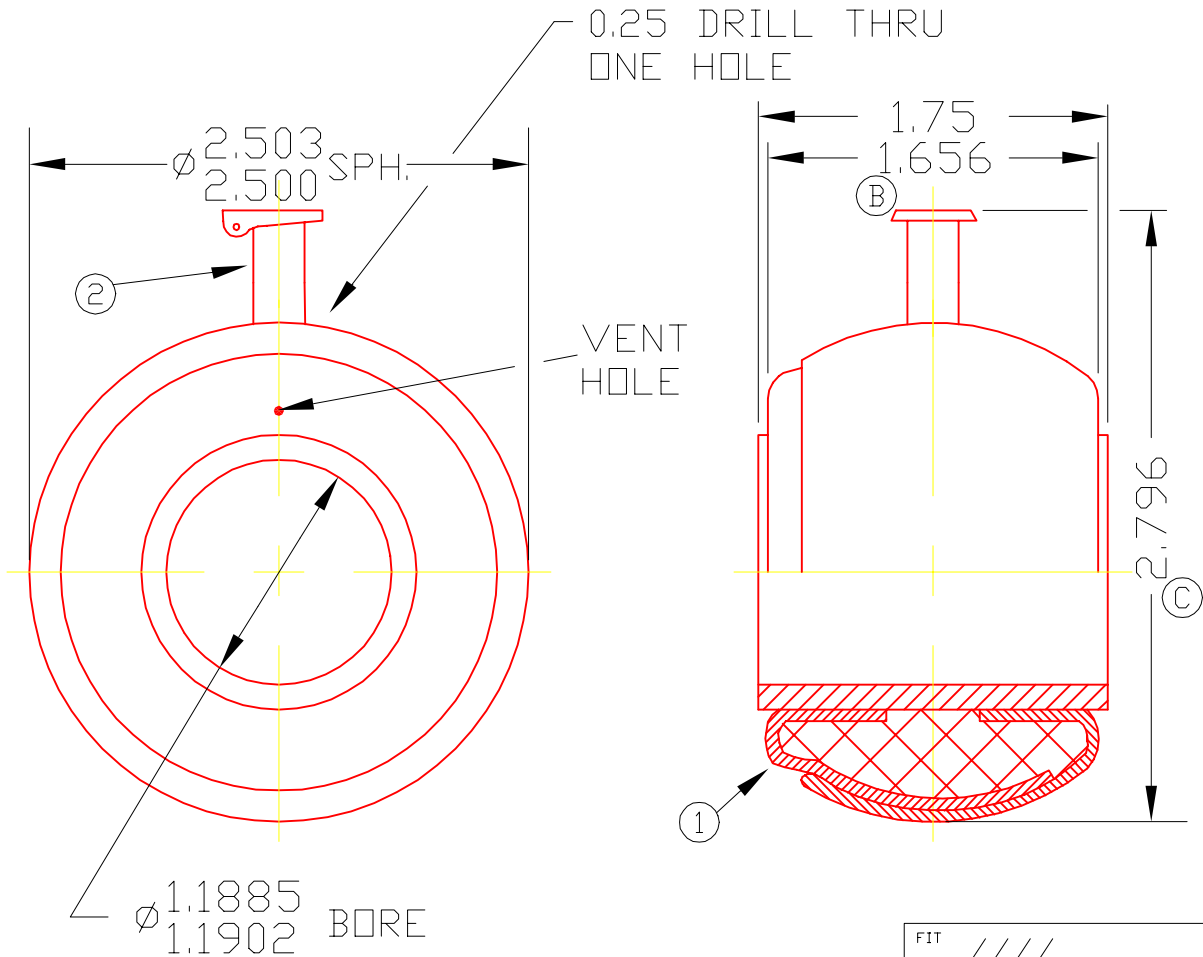


F19A



①	2	1062-6	OIL CUP	1
②	1	F19P	BRG. BALL	1
③				
	DET	PART NUMBER	DESCRIPTION	AMT

△ TRIANGLE MANUFACTURING CO.
OSHKOSH, WI.

NAME BRG. BALL, STAMPED

USED IN F SERIES

DATE 2-19-62 PART NO.

DRAWN LML

CHECKED MJK

SCALE 1 / 1

F19A

FIT	////
PLATING	////
MATERIAL	SEE DETAILS
ALL DIMS. ±.020 UNLESS OTHERWISE SPECIFIED	

CHANGE LEVEL
D 02-18-99