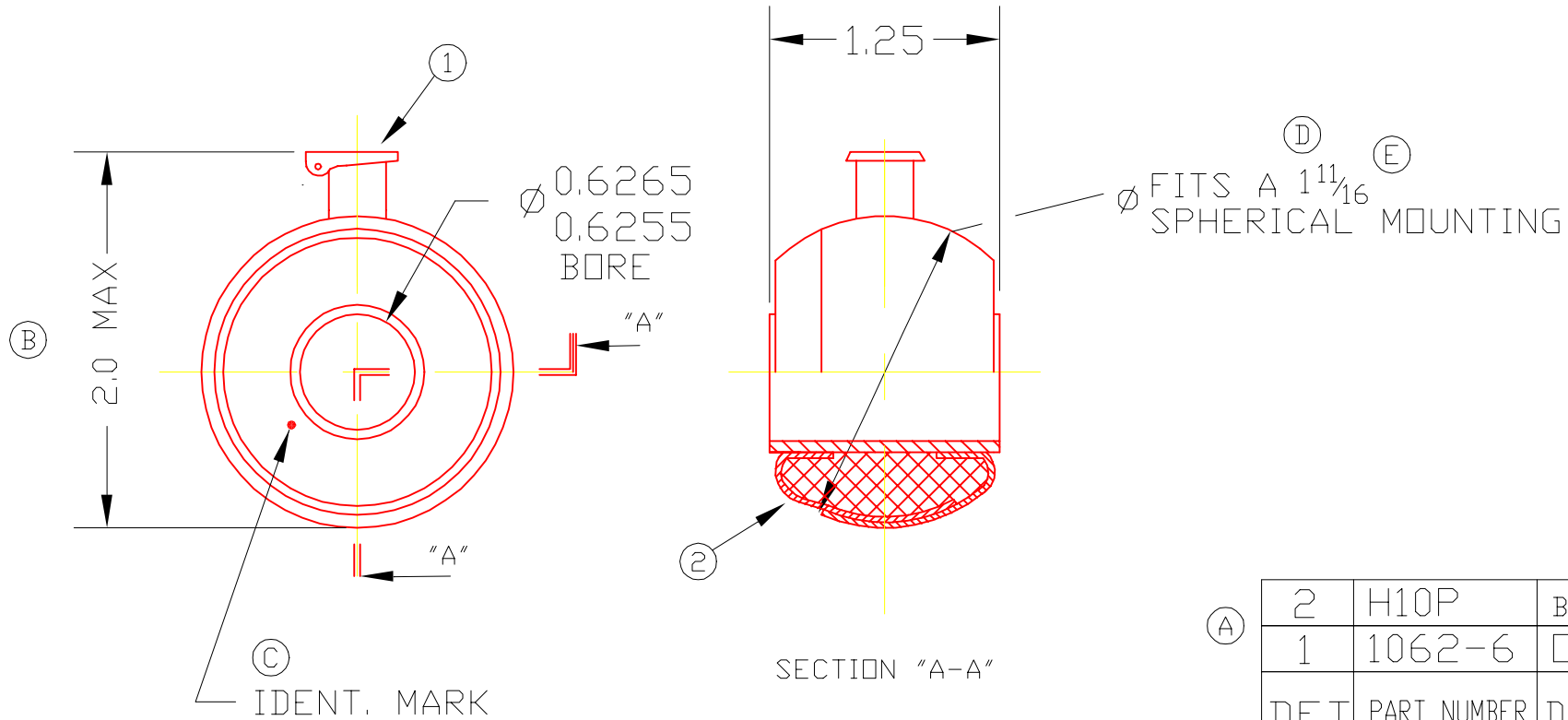


H10A



QTY	PART NUMBER	DESCRIPTION	AMT
2	H10P	BALL ASS'Y	1
1	1062-6	OIL CUP	1

TRIANGLE MANUFACTURING CO.
OSHKOSH, WI.

NAME BRG. BALL, STAMPED

USED IN H SERIES

DATE 10-12-59

PART NO.

DRAWN LML

CHECKED MJK

SCALE 1 / 1

H10A

LUBE	NONE
PLATING	////
MATERIAL	SEE DETAILS
ALL DIMS. ±.020 UNLESS OTHERWISE SPECIFIED	

CHANGE LEVEL
G 01-25-00