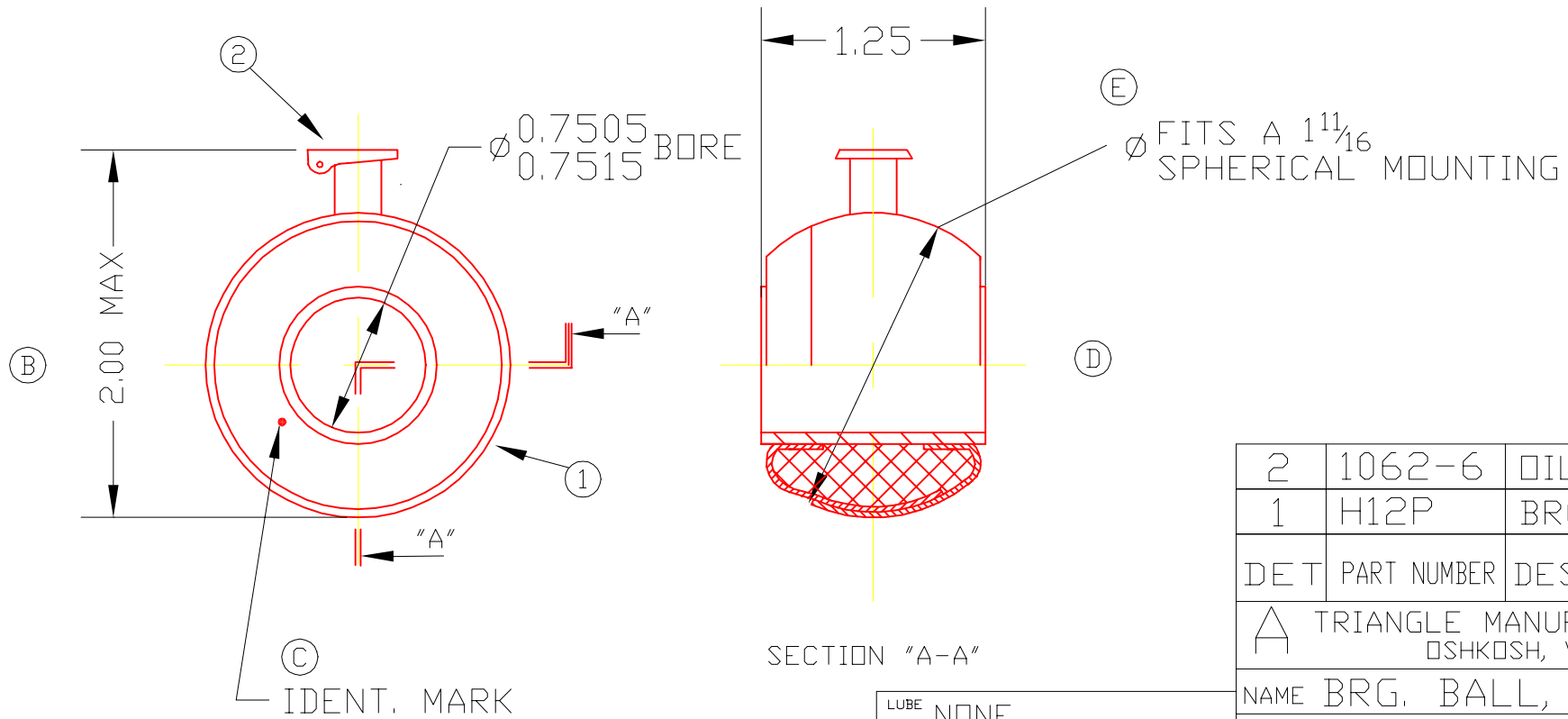


H12A



2	1062-6	OIL CUP	1
1	H12P	BRG. BALL	1
DET	PART NUMBER	DESCRIPTION	AMT

△ TRIANGLE MANUFACTURING CO.
OSHKOSH, WI.

NAME BRG. BALL, STAMPED

USED IN H SERIES

DATE 3-22-65 PART NO.

DRAWN LML

CHECKED MJK

SCALE 1 / 1

H12A

CHANGE LEVEL	
H	01-25-00

LUBE	NONE
PLATING	////
MATERIAL	SEE DETAILS
ALL DIMS. ±.020 UNLESS OTHERWISE SPECIFIED	