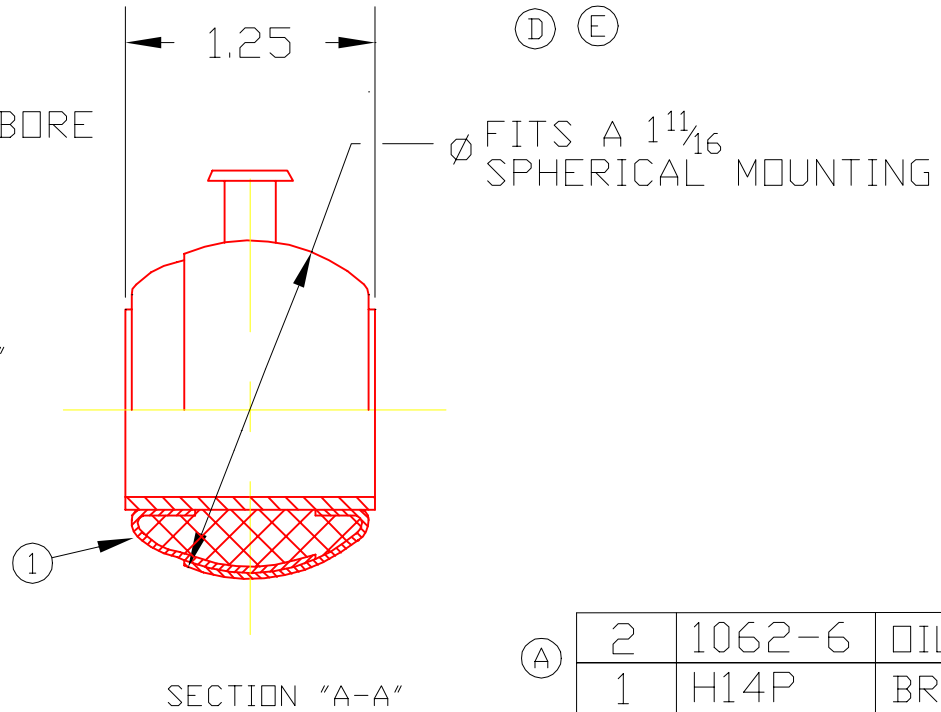
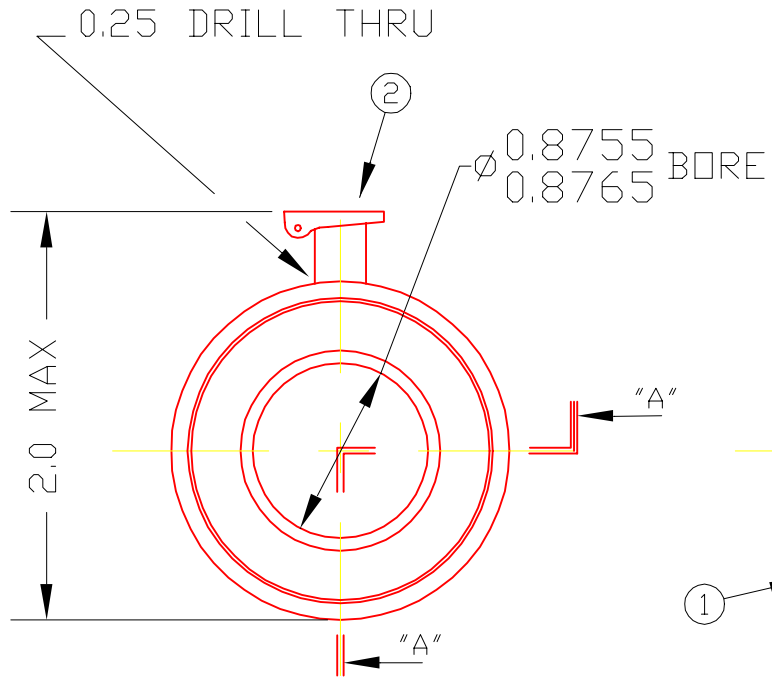


H14A



2	1062-6	OIL CUP	1
1	H14P	BRG. BALL	1
DET	PART NUMBER	DESCRIPTION	AMT

TRIANGLE MANUFACTURING CO.
OSHKOSH, WI.

NAME BRG. BALL, STAMPED

USED IN H SERIES

DATE 6-3-60

PART NO.

DRAWN LML

CHECKED MJK

SCALE 1 / 1

H14A

FIT	////
PLATING	////
MATERIAL	SEE DETAILS
ALL DIMS. ±.020 UNLESS OTHERWISE SPECIFIED	

CHANGE LEVEL
G 01-25-00