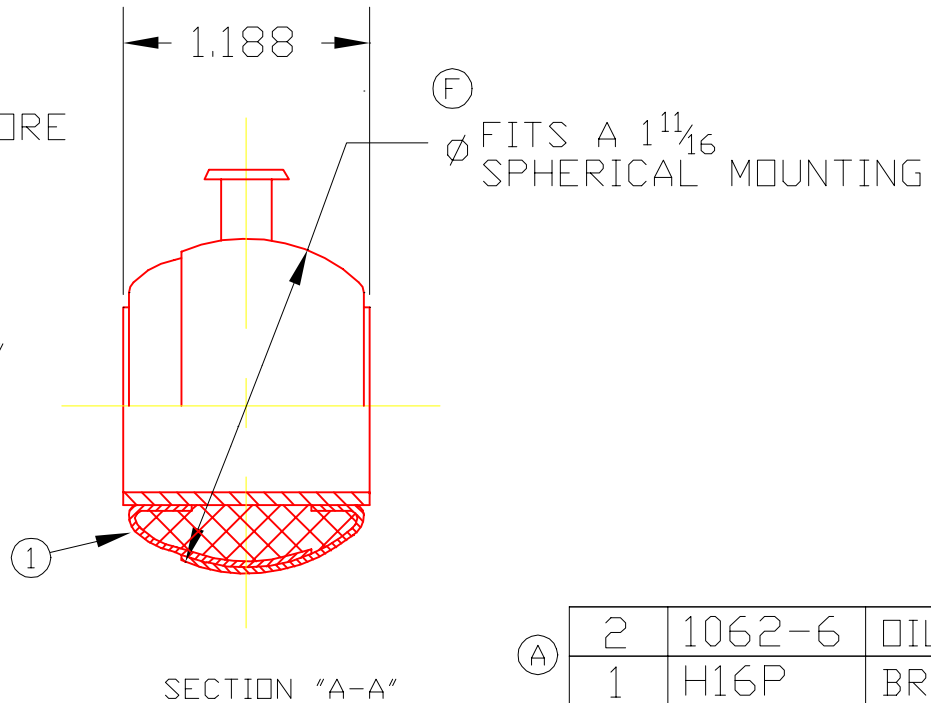
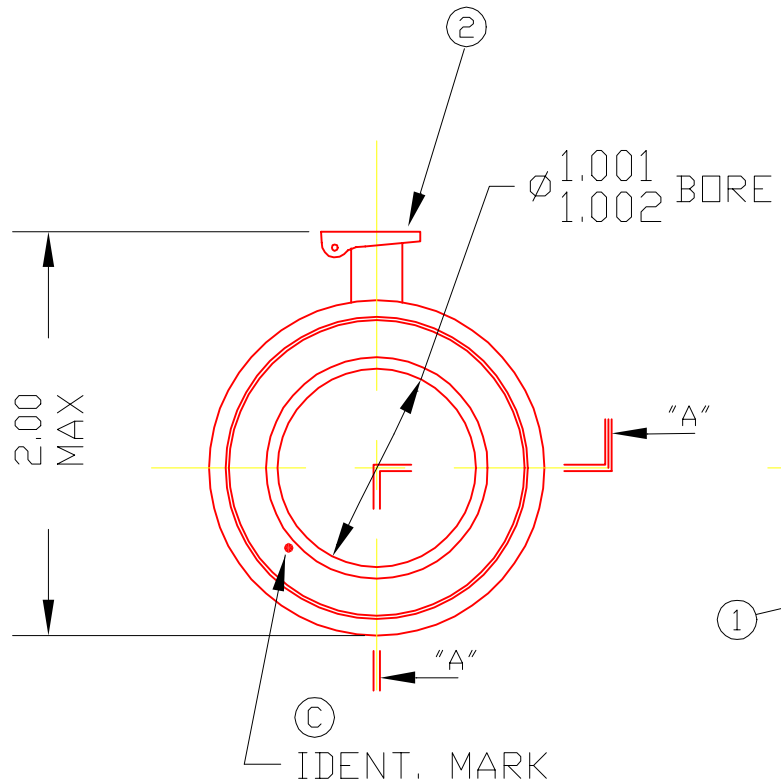


H16A



(A)	2	1062-6	OIL CUP	1
	1	H16P	BRG. BALL	1
DET	PART NUMBER	DESCRIPTION	AMT	

△ TRIANGLE MANUFACTURING CO.
OSHKOSH, WI.

NAME BRG. BALL, STAMPED

USED IN H SERIES

DATE 2-23-60 PART NO.

DRAWN LML

CHECKED SP

SCALE 1 / 1

H16A

FIT	////
PLATING	////
MATERIAL	SEE DETAILS
ALL DIMS. ±.020 UNLESS OTHERWISE SPECIFIED	

CHANGE LEVEL	
H	01-09-02