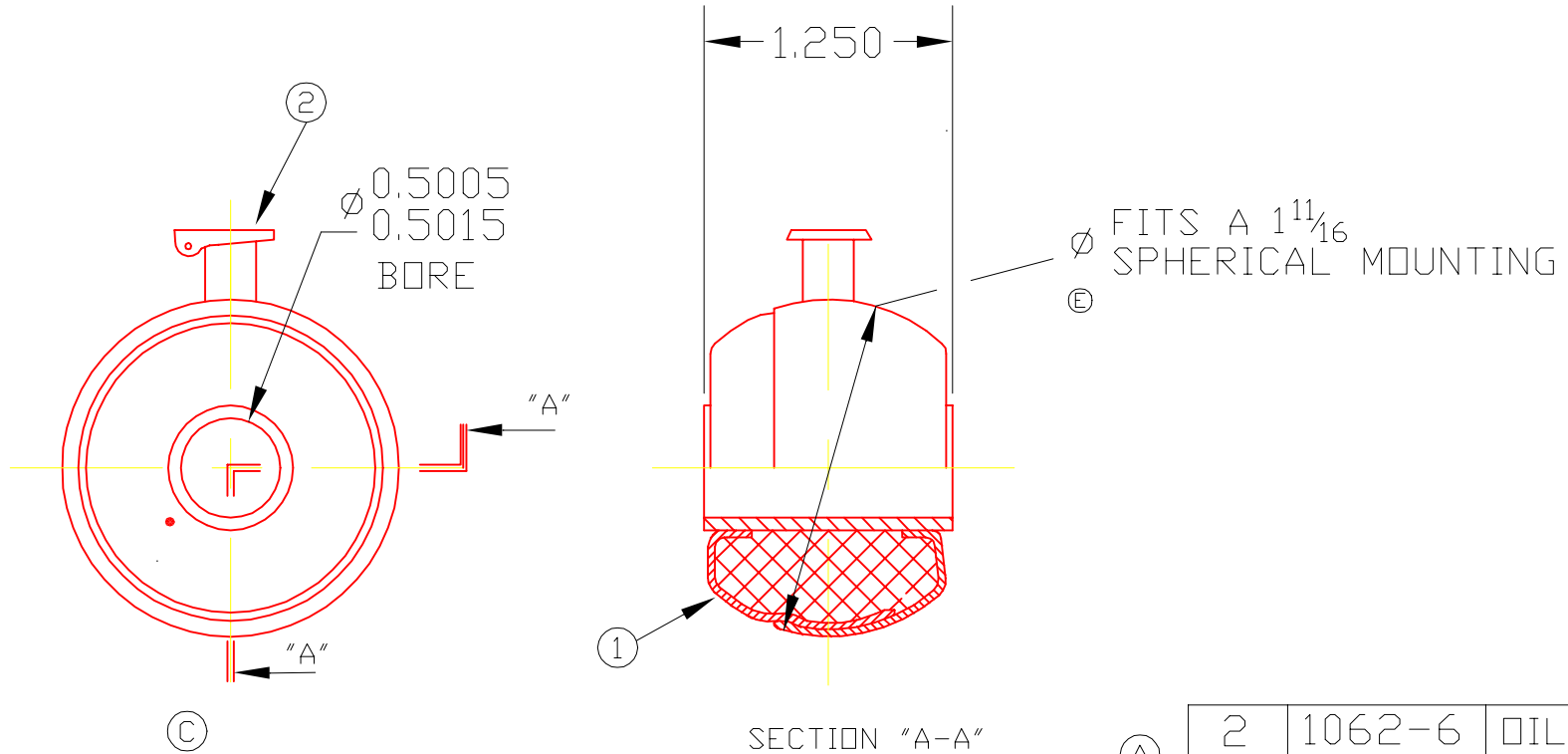


H8A



(A)	2	1062-6	OIL CUP	1
	1	H8P	BRG. BALL	1
DET	PART NUMBER	DESCRIPTION	AMT	

TRIANGLE MANUFACTURING CO.
 OSHKOSH, WI.

NAME BRG. BALL, STAMPED

USED IN H SERIES

DATE 6-3-60

PART NO.

DRAWN LML

CHECKED SP

SCALE 1 / 1

H8A

FIT	////
PLATING	////
MATERIAL	SEE DETAILS
ALL DIMS. \pm .020 UNLESS OTHERWISE SPECIFIED	

CHANGE LEVEL
E 07-13-93