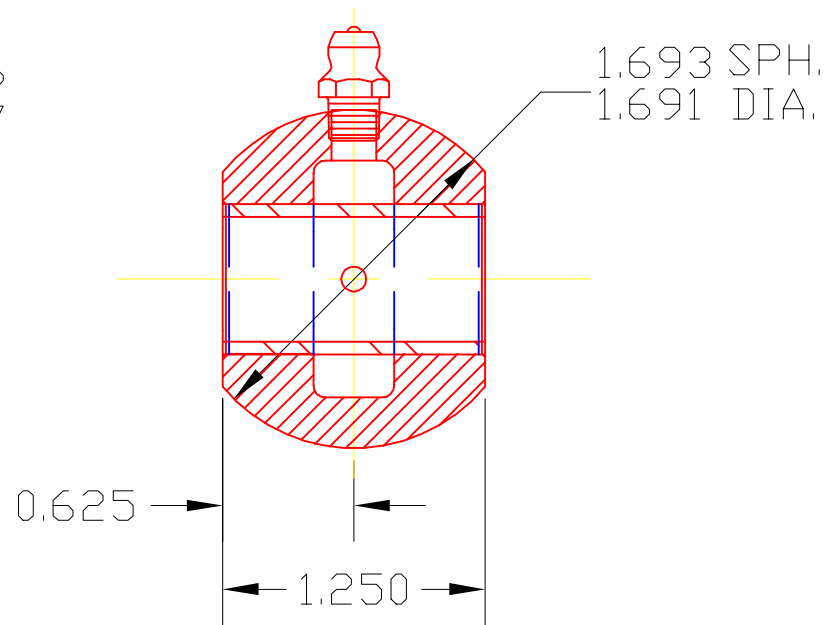
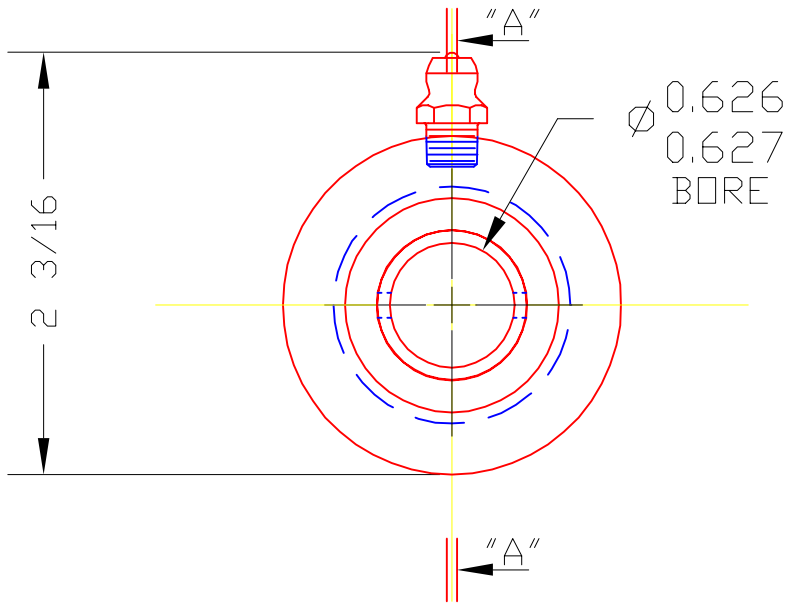


S10G



1	7991	BALL	1
DET	PART NUMBER	DESCRIPTION	AMT
TRIANGLE MANUFACTURING CO. OSHKOSH, WI.			
NAME BRG. BALL - CAST IRON			
USED IN // // //			
DATE 6-21-62		PART NO.	
DRAWN DR-97		S10G	
CHECKED MH			
SCALE 1 / 1			

CHANGE LEVEL	
B	09-12-97

MATERIAL	COMM. GRAY IRON
ALL DIMS ±.020 UNLESS SPECIFIED	