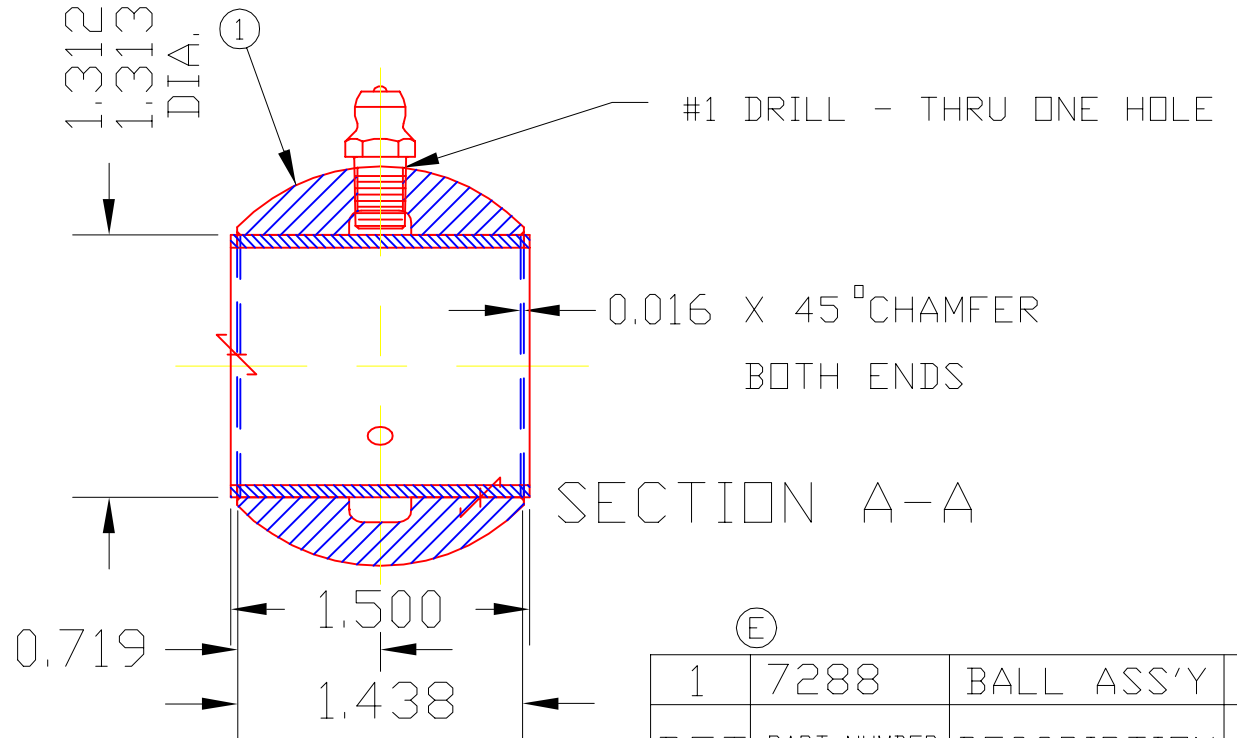
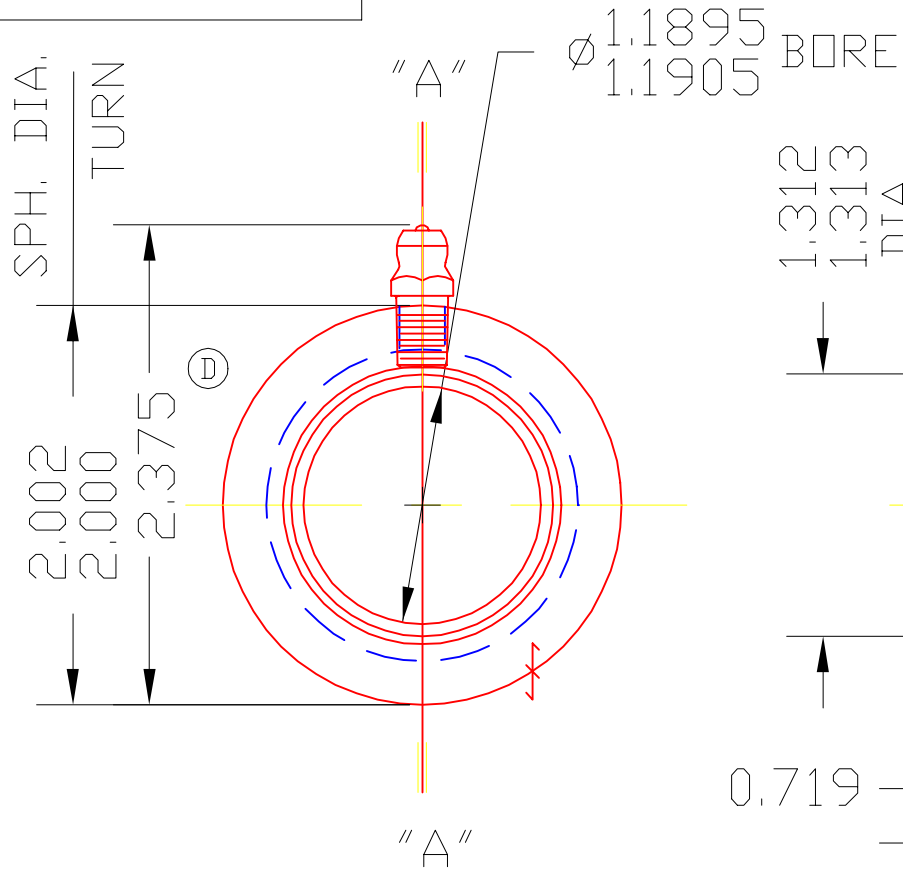


T19G



E			
QTY	PART NUMBER	DESCRIPTION	AMT
1	7288	BALL ASS'Y	1
DET	PART NUMBER	DESCRIPTION	AMT
A TRIANGLE MANUFACTURING CO. OSHKOSH, WI.			
NAME BRG. BALL - CAST IRON			
USED IN T			
DATE 6-29-62		PART NO.	
DRAWN BW-88		T19G	
CHECKED STEVE			
SCALE 1 / 1			

CHANGE LEVEL
E 01-25-94

FIT	////
PLATING	////
MATERIAL	SEE DET.
ALL DIMS. ±.020 UNLESS OTHERWISE SPECIFIED	