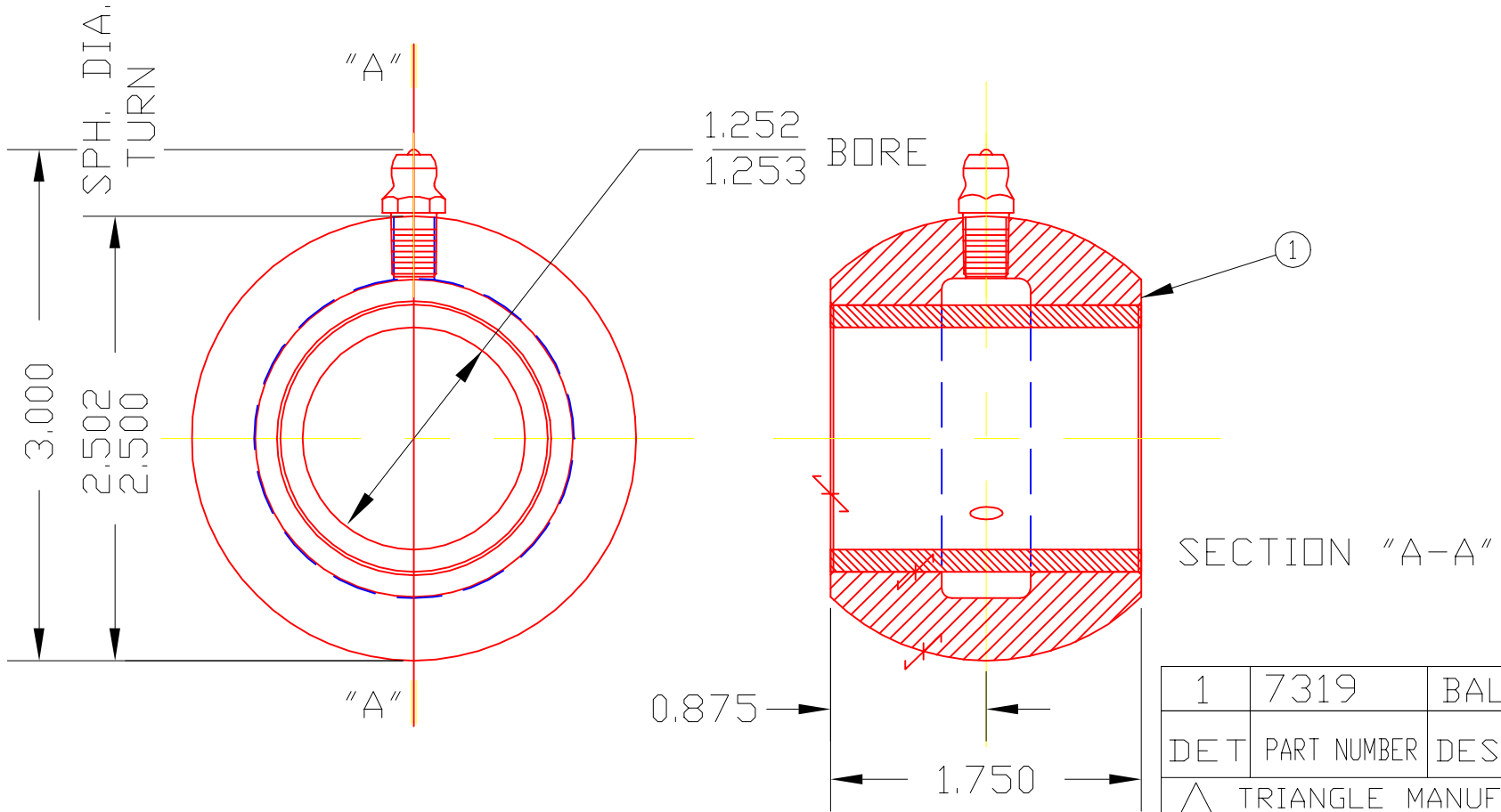


U20G



1	7319	BALL ASS'Y	1
DET	PART NUMBER	DESCRIPTION	AMT
A TRIANGLE MANUFACTURING CO. OSHKOSH, WI.			
NAME BRG. BALL - CAST IRON			

FIT	////
PLATING	////
MATERIAL	SEE DET.
ALL DIMS ±.020 UNLESS SPECIFIED	

USED IN	U	PART NO. U20G
DATE	7-6-62	
DRAWN	BW-88	
CHECKED	////	
SCALE	1 / 1	

CHANGE LEVEL
G 12-03-99