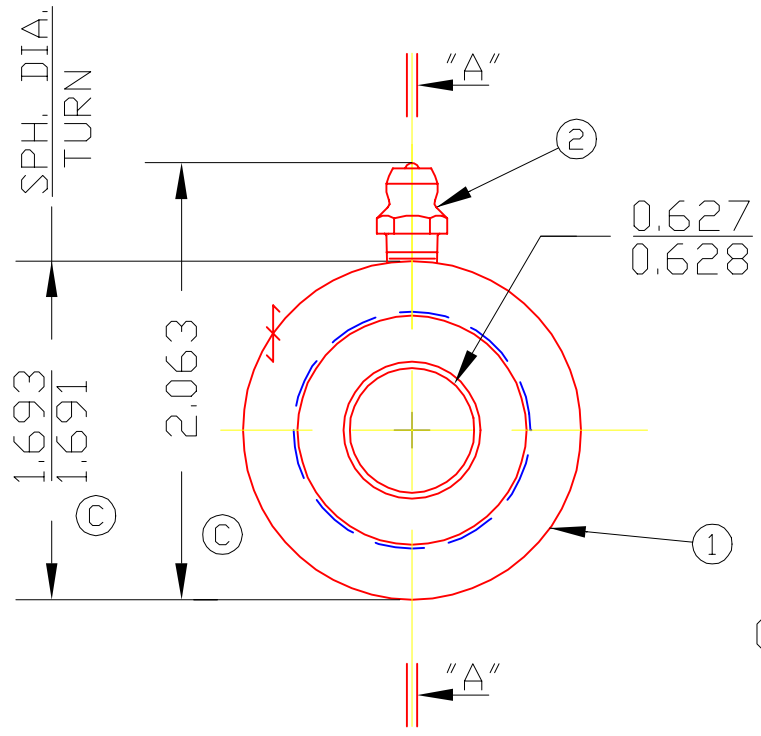
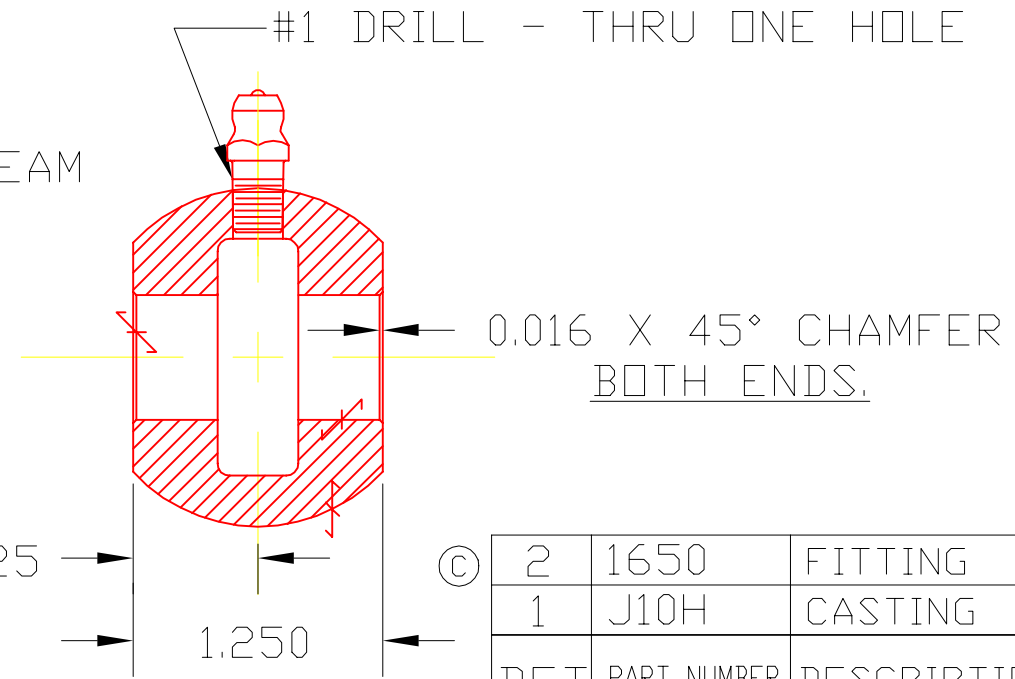


J10G



REAM



2	1650	FITTING	1
1	J10H	CASTING	1
DET	PART NUMBER	DESCRIPTION	AMT

A TRIANGLE MANUFACTURING CO.  
OSHKOSH, WI.

NAME BRG. BALL-CAST IRON

USED IN J

DATE 6-11-62

DRAWN BW-88

CHECKED MJK

SCALE 1 / 1

PART NO.

J10G

CHANGE LEVEL	
C	06-14-88

MATERIAL	SEE DET.
ALL DIMS ±.020 UNLESS SPECIFIED	