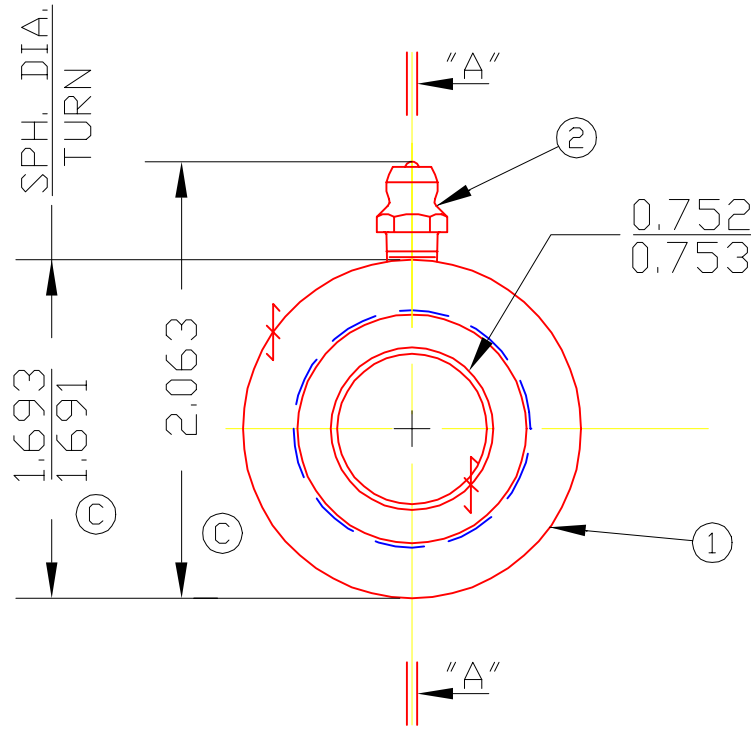
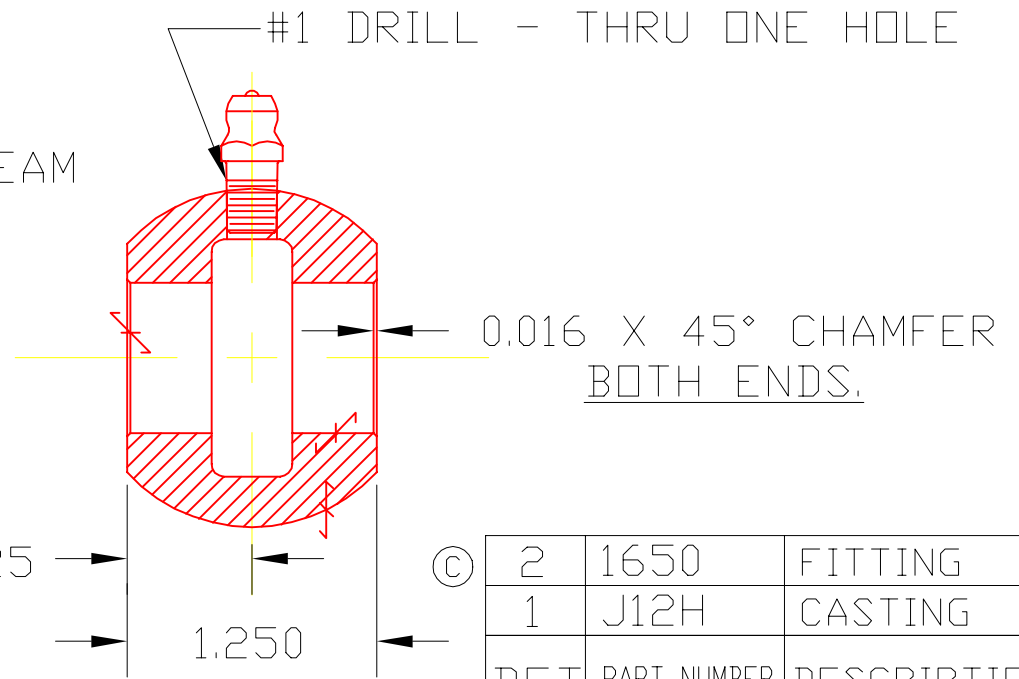


J12G



REAM



SECTION "A-A"

2	1650	FITTING	1
1	J12H	CASTING	1
DET	PART NUMBER	DESCRIPTION	AMT

▲ TRIANGLE MANUFACTURING CO.
OSHKOSH, WI.

NAME BRG. BALL-CAST IRON

USED IN J

DATE 6-11-62

PART NO.

DRAWN BW-88

CHECKED MJK

SCALE 1 / 1

J12G

CHANGE LEVEL
C 06-14-88

MATERIAL	SEE DET.
ALL DIMS ±.020 UNLESS SPECIFIED	