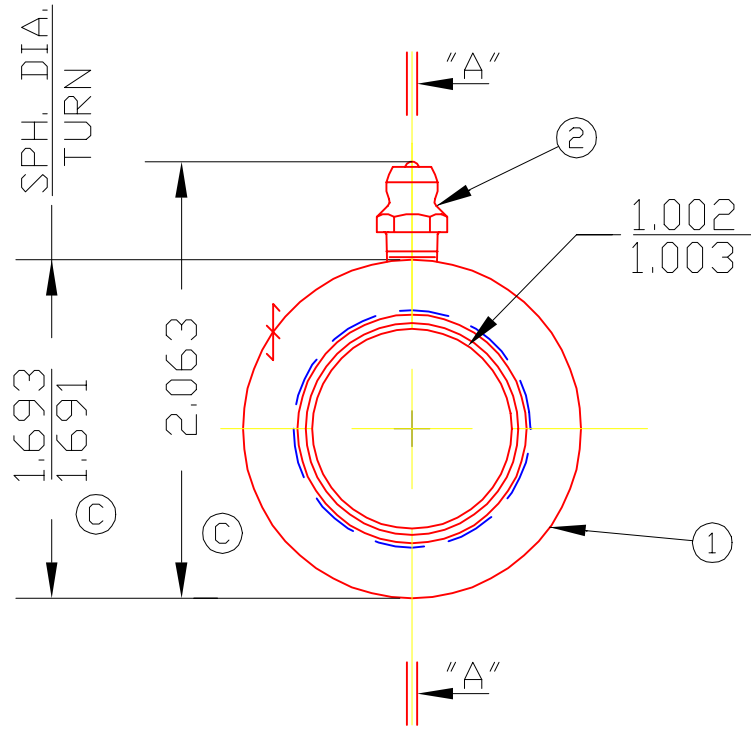
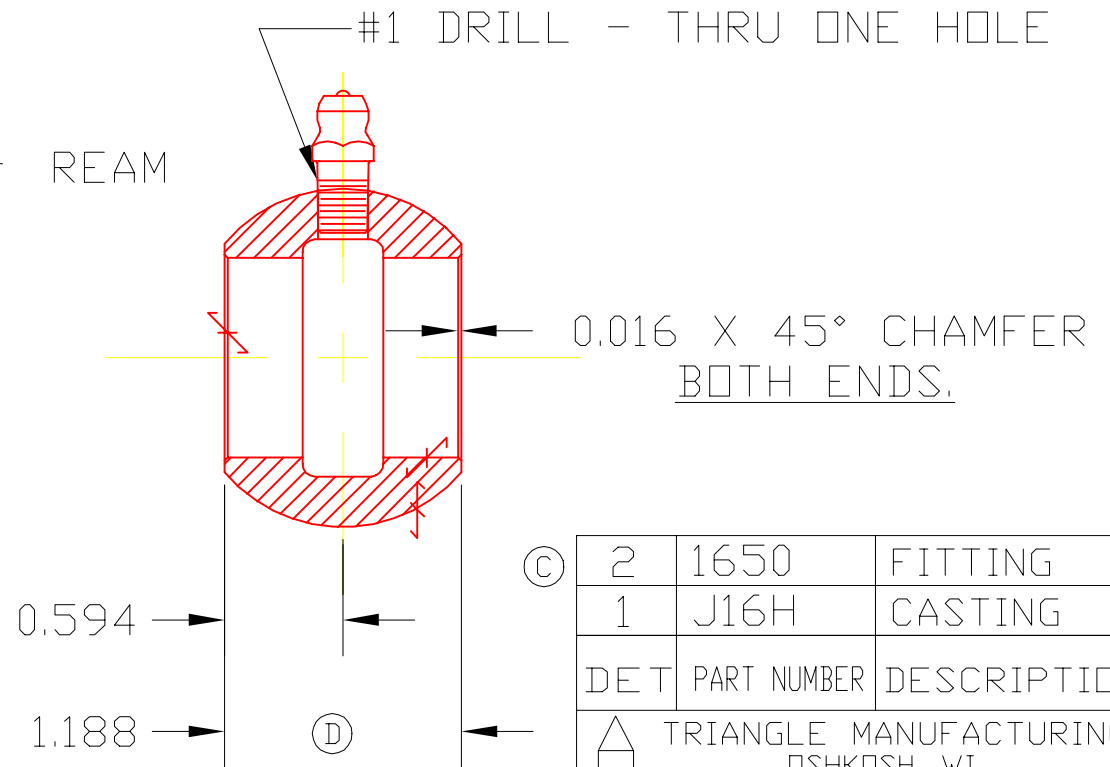


J16G



REAM



SECTION "A-A"

②	1650	FITTING	1
①	J16H	CASTING	1
DET	PART NUMBER	DESCRIPTION	AMT

△ TRIANGLE MANUFACTURING CO.
OSHKOSH, WI.

NAME BRG. BALL-CAST IRON

USED IN J

DATE 6-11-62

PART NO.

DRAWN BW-88

CHECKED MJK

SCALE 1 / 1

J16G

CHANGE LEVEL
D 08-05-96

MATERIAL	SEE DET.
ALL DIMS ±.020 UNLESS SPECIFIED	