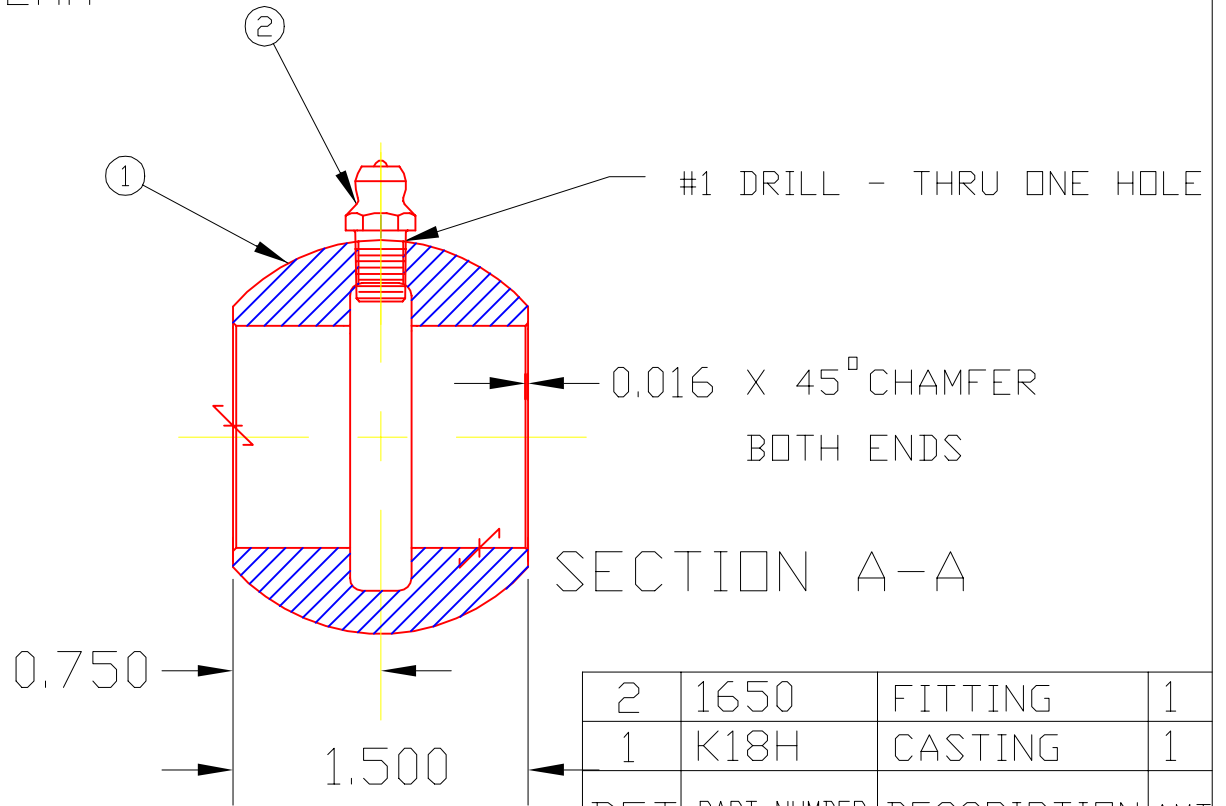
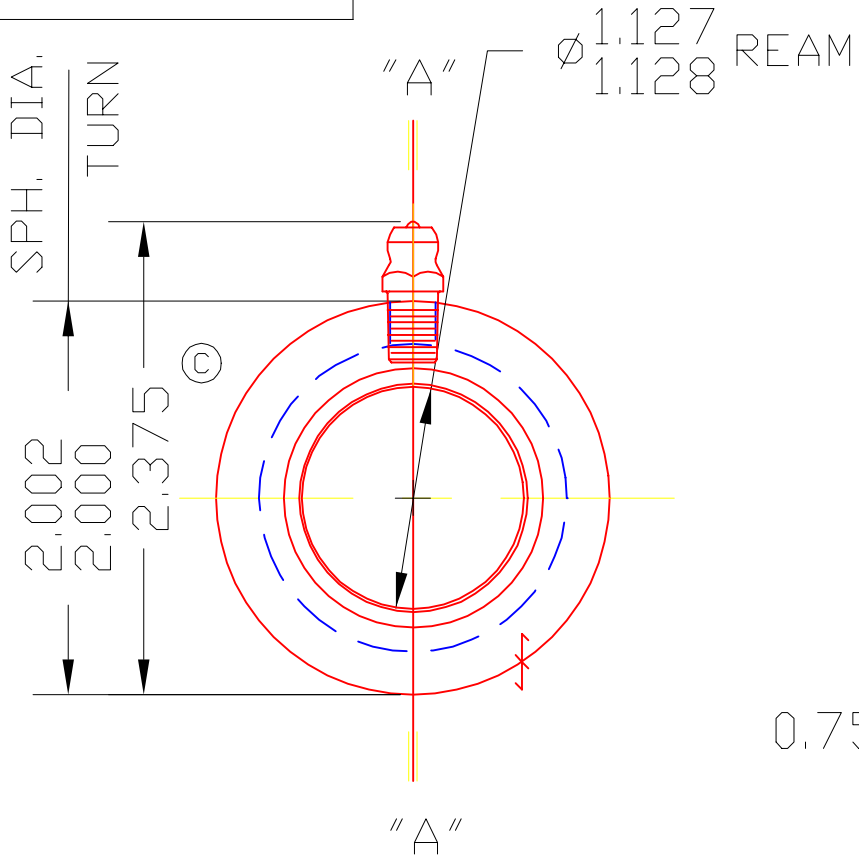


K18G



2	1650	FITTING	1
1	K18H	CASTING	1
DET	PART NUMBER	DESCRIPTION	AMT

▲ TRIANGLE MANUFACTURING CO.
OSHKOSH, WI.

NAME BRG. BALL - CAST IRON

USED IN K BALL

DATE 6-4-62 PART NO.

DRAWN BW-88

CHECKED STEVE

SCALE 1 / 1

K18G

FIT	////
PLATING	////
MATERIAL	SEE DET.
ALL DIMS. ±.020 UNLESS OTHERWISE SPECIFIED	

CHANGE LEVEL
C 6-14-88