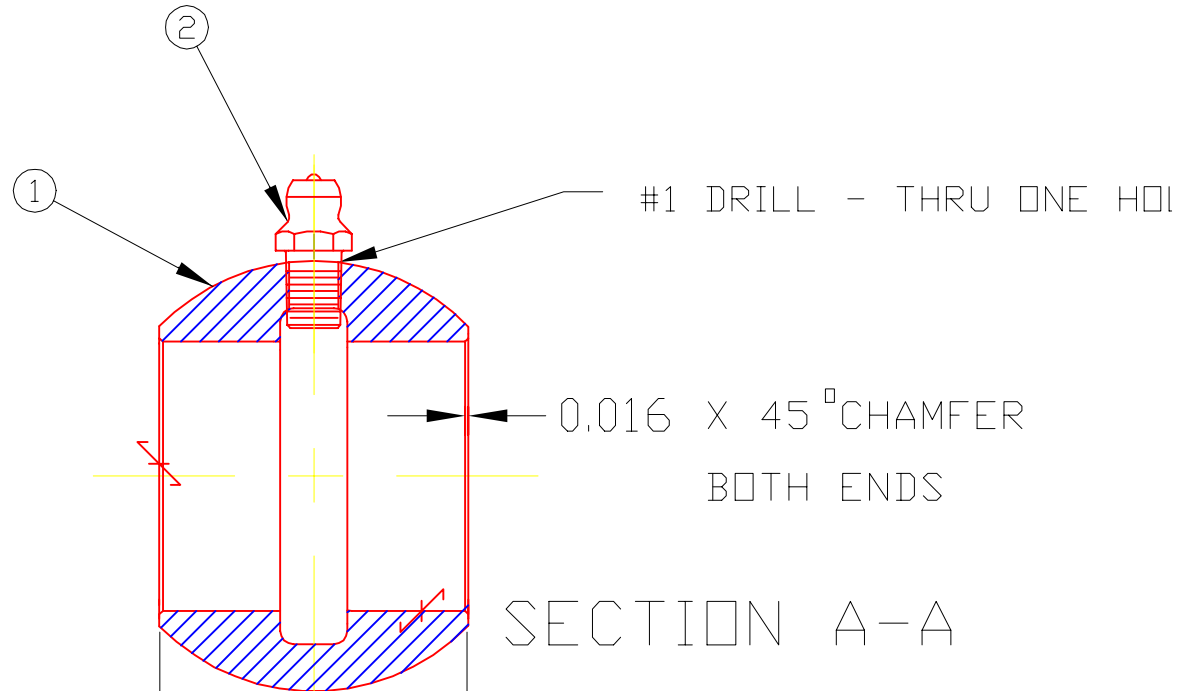
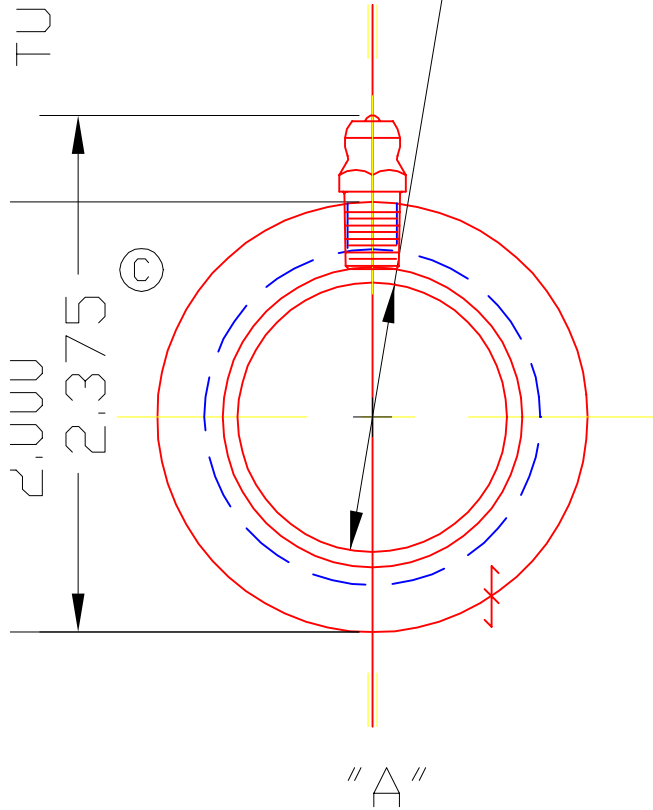


20G

TURN

2.375 ©



| | | |
|-----|-------------|-------------|
| 2 | 1650 | FITTING |
| 1 | K20H | CASTING |
| DET | PART NUMBER | DESCRIPTION |

△ TRIANGLE MANUFACTURING CO
OSHKOSH, WI.

NAME BRG. BALL - CAST IRON

USED IN K BALL

DATE 2-24-60 PART NO.

DRAWN BW-88

CHECKED STEVE

SCALE 1 / 1

K20G

| | |
|--|----------|
| FIT | //// |
| PLATING | //// |
| MATERIAL | SEE DET. |
| ALL DIMS. ±.020 UNLESS OTHERWISE SPECIFIED | |

JE LEVEL
-14-88