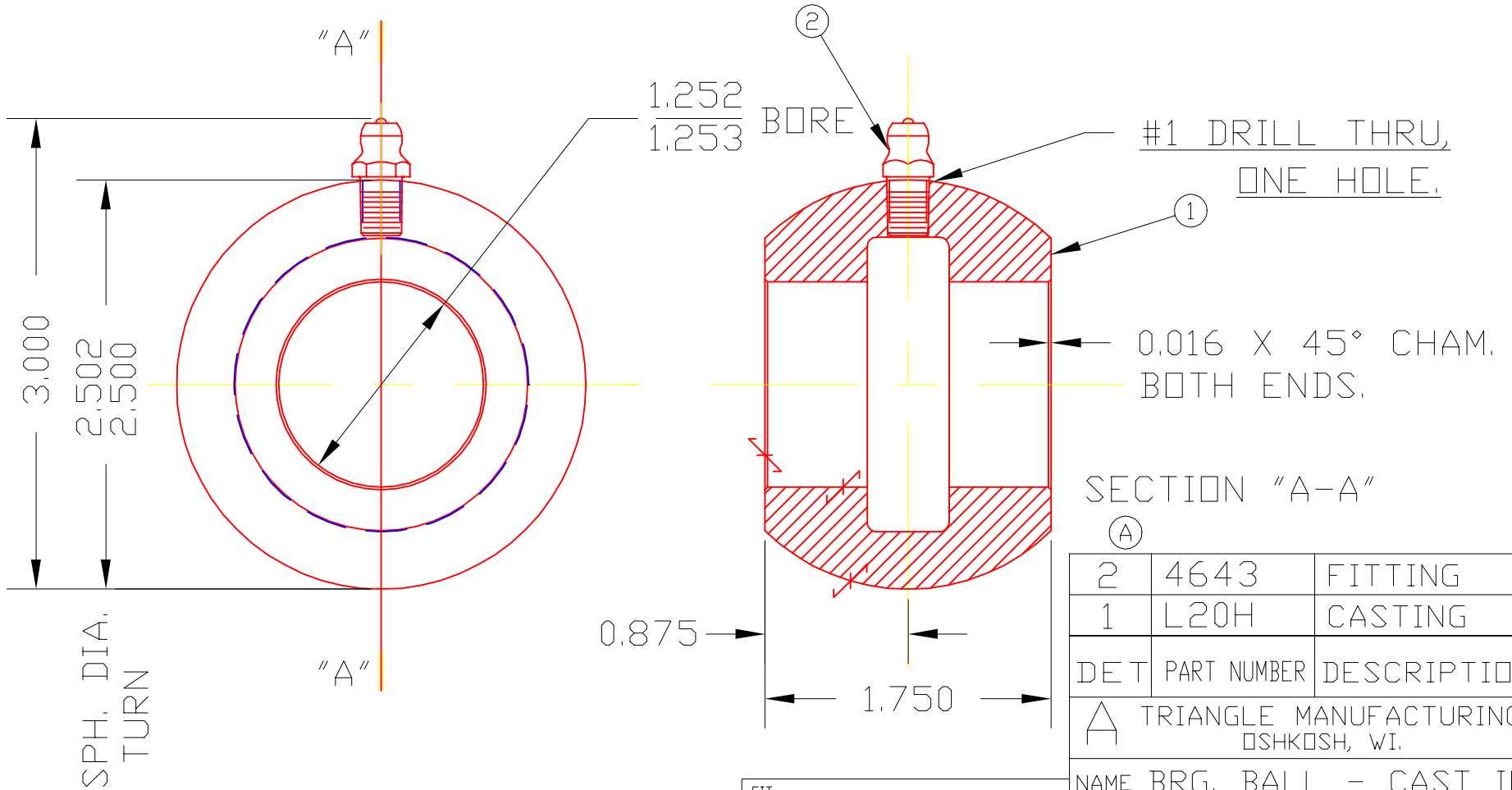


L20G



| | | | |
|---|------|---------|---|
| 2 | 4643 | FITTING | 1 |
| 1 | L20H | CASTING | 1 |

| DET | PART NUMBER | DESCRIPTION | AMT |
|-----|-------------|-------------|-----|
|-----|-------------|-------------|-----|

△ TRIANGLE MANUFACTURING CO.
OSHKOSH, WI.

NAME BRG. BALL - CAST IRON

| | | |
|---------|--------|----------------------|
| USED IN | L | PART NO. L20G |
| DATE | 7-9-62 | |
| DRAWN | BW-88 | |
| CHECKED | //// | |
| SCALE | 1 / 1 | |

| | |
|---------------------------------|----------|
| FIT | //// |
| PLATING | //// |
| MATERIAL | SEE DET. |
| ALL DIMS ±.020 UNLESS SPECIFIED | |

| | |
|--------------|----------|
| CHANGE LEVEL | |
| C | 12-02-99 |