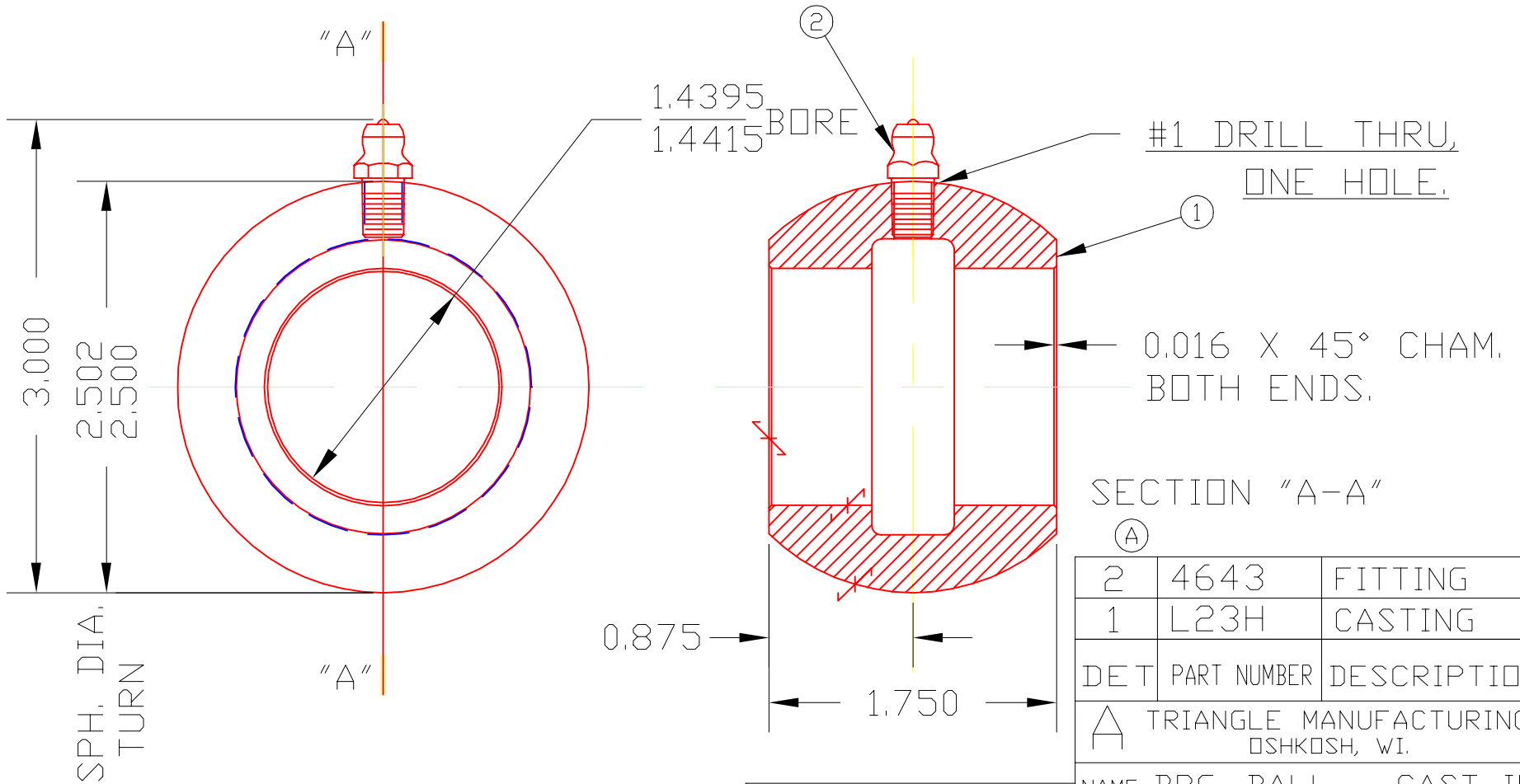


L23G



SECTION "A-A"

DET	PART NUMBER	DESCRIPTION	AMT
2	4643	FITTING	1
1	L23H	CASTING	1

TRIANGLE MANUFACTURING CO.
OSHKOSH, WI.

NAME BRG. BALL - CAST IRON

FIT	////
PLATING	////
MATERIAL	SEE DET.
ALL DIMS ±.020 UNLESS SPECIFIED	

USED IN	L
DATE	7-9-62
DRAWN	BW-88
CHECKED	////
SCALE	1 / 1

L23G

CHANGE LEVEL
C 12-02-99