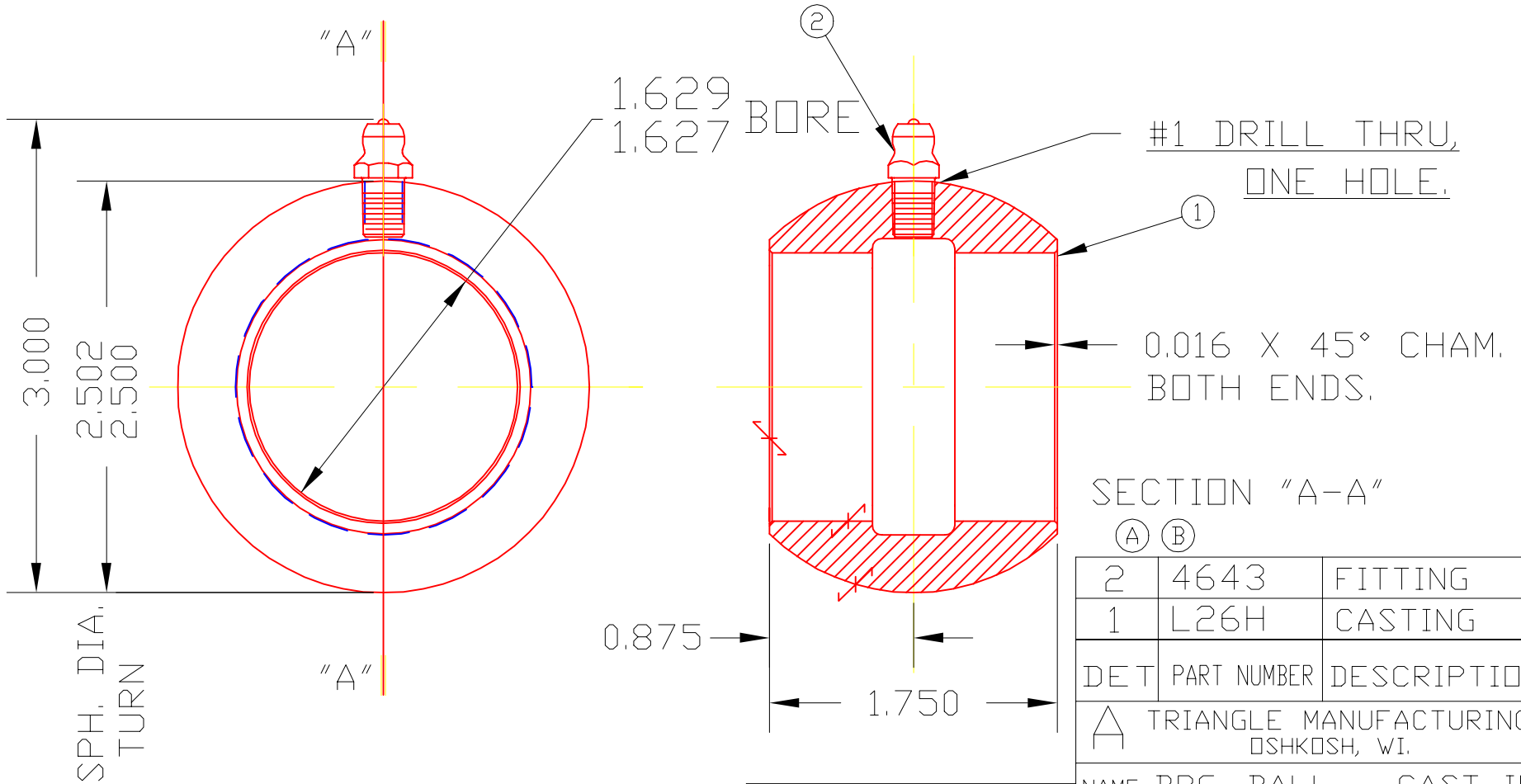


L26G



|   |      |         |   |
|---|------|---------|---|
| 2 | 4643 | FITTING | 1 |
| 1 | L26H | CASTING | 1 |

| DET | PART NUMBER | DESCRIPTION | AMT |
|-----|-------------|-------------|-----|
|-----|-------------|-------------|-----|

△ TRIANGLE MANUFACTURING CO.  
OSHKOSH, WI.

NAME BRG. BALL - CAST IRON

USED IN L

DATE 7-9-62 PART NO.

DRAWN SP

CHECKED SP

SCALE 1 / 1

L26G

|              |
|--------------|
| CHANGE LEVEL |
| C 12-02-99   |

|                                 |          |
|---------------------------------|----------|
| FIT                             | ////     |
| PLATING                         | ////     |
| MATERIAL                        | SEE DET. |
| ALL DIMS ±.020 UNLESS SPECIFIED |          |