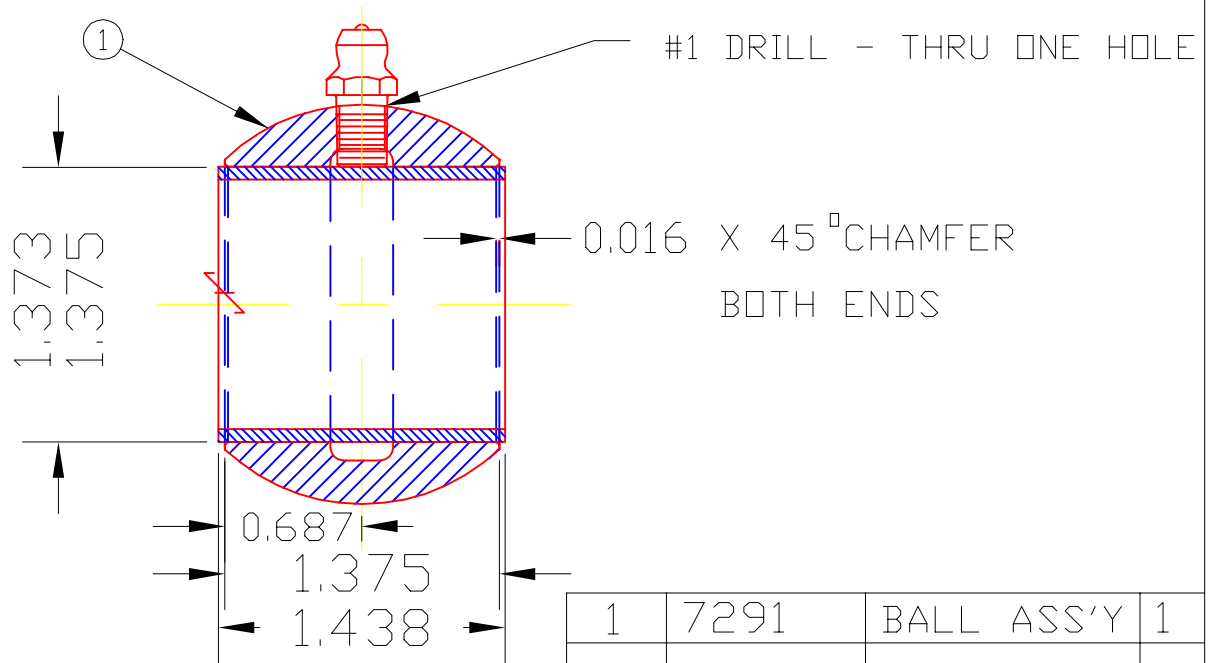
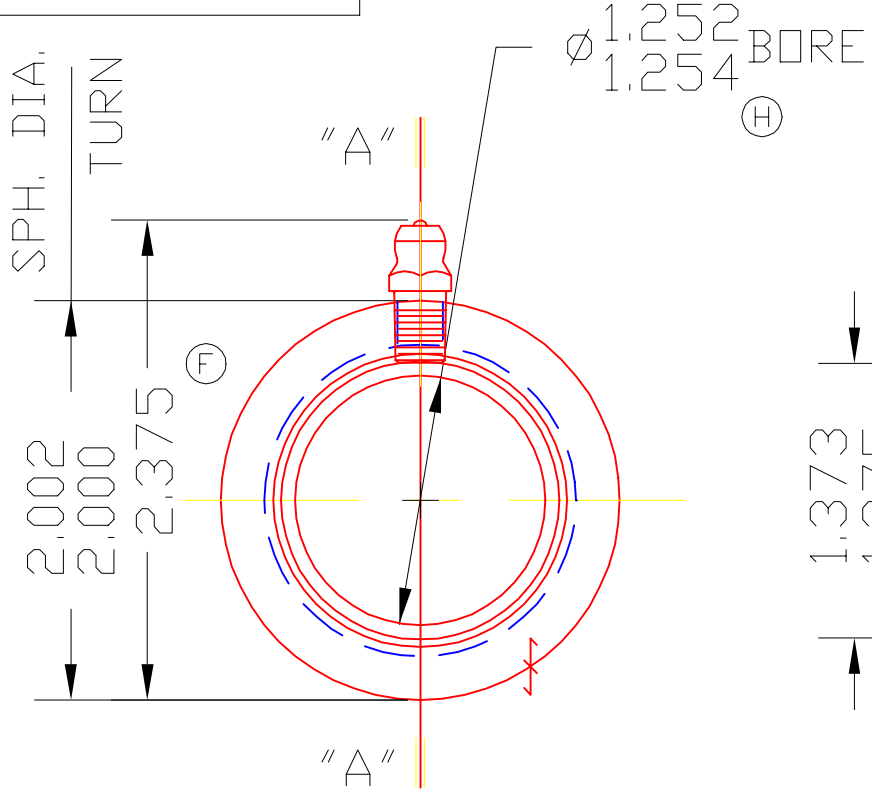


T20G



SECTION A-A

1	7291	BALL ASS'Y	1
DET	PART NUMBER	DESCRIPTION	AMT
A TRIANGLE MANUFACTURING CO. OSHKOSH, WI.			
NAME BRG. BALL - CAST IRON			
USED IN T			
DATE 2-24-60		PART NO.	
DRAWN BW-88		T20G	
CHECKED STEVE			
SCALE 1 / 1			

FIT	////
PLATING	////
MATERIAL	SEE DET.
ALL DIMS. ±.020 UNLESS OTHERWISE SPECIFIED	

CHANGE LEVEL
H 04-24-03