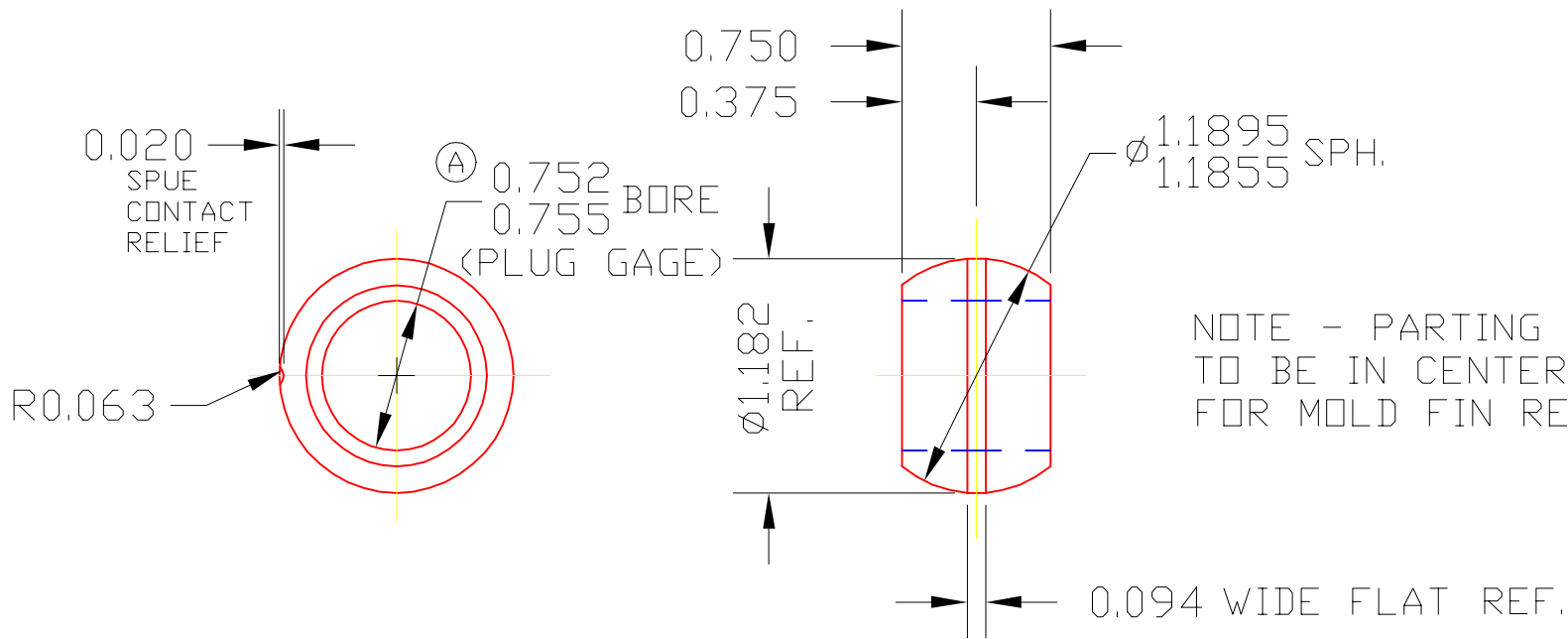


M12



NOTE - PARTING LINE OF DIE
TO BE IN CENTER OF 0.094 FLAT
FOR MOLD FIN RELIEF

| DET | PART NUMBER | DESCRIPTION | AMT |
|-----|-------------|--|------|
| | | △ TRIANGLE MANUFACTURING CO. OSHKOSH, WI. | |
| | | NAME BEARING BALL-PLASTIC | |
| | | USED IN | //// |
| | DATE 2-3-65 | PART NO. | |
| | DRAWN LML | | |
| | CHECKED | //// | |
| | SCALE 1 / 1 | | |

| | |
|----------|------------------------|
| FIT | //// |
| PLATING | //// |
| MATERIAL | #101 NYLON |
| ALL DIMS | ±.020 UNLESS SPECIFIED |

M12

| CHANGE LEVEL |
|--------------|
| C 02-21-94 |