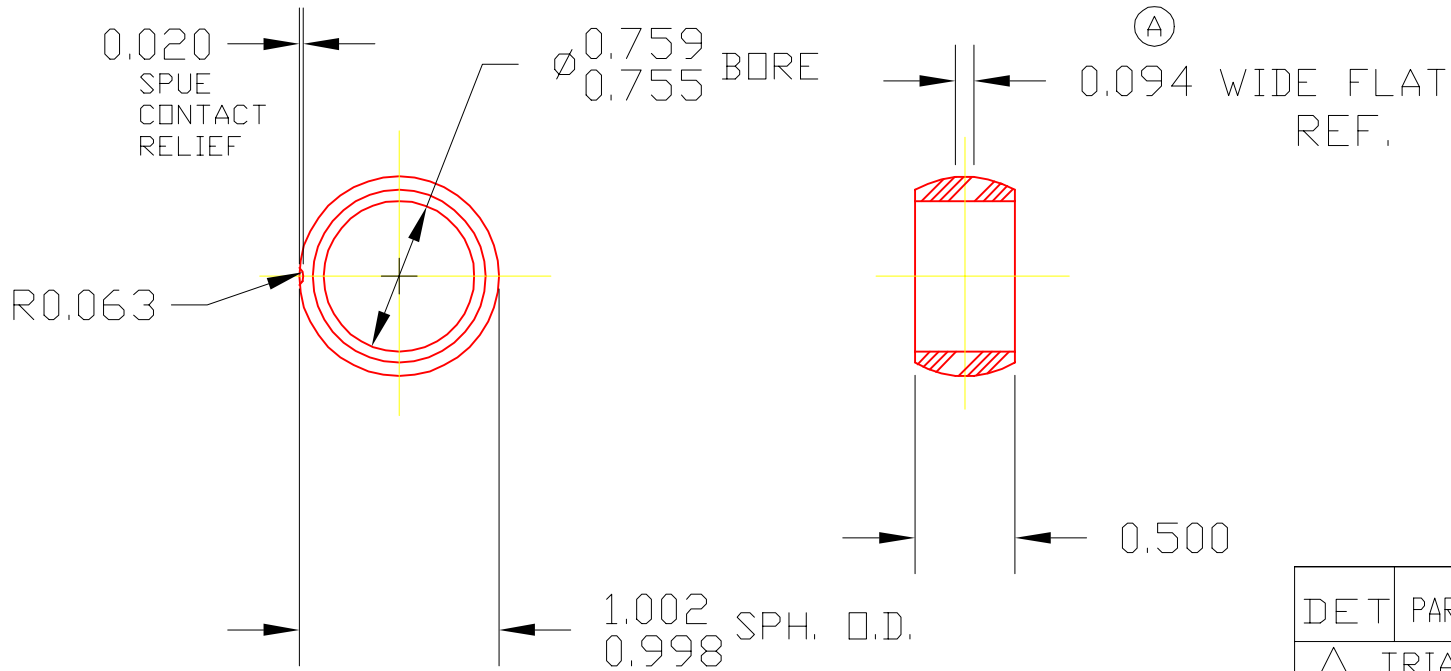


N12

NOTE - PARTING LINE OF DIE
TO BE IN CENTER OF 0.094 FLAT
FOR MOLD FIN RELIEF



DET	PART NUMBER	DESCRIPTION	AMT
		TRIANGLE MANUFACTURING CO. OSHKOSH, WI.	
		NAME BEARING BALL-PLASTIC	
		USED IN N SERIES	
	DATE 4-10-64	PART NO.	
	DRAWN LML		
	CHECKED ////		
	SCALE 1 / 1		

N12

CHANGE LEVEL
B 02-21-94

FIT	////
PLATING	////
MATERIAL	NYLON #101
ALL DIMS ±.020 UNLESS SPECIFIED	