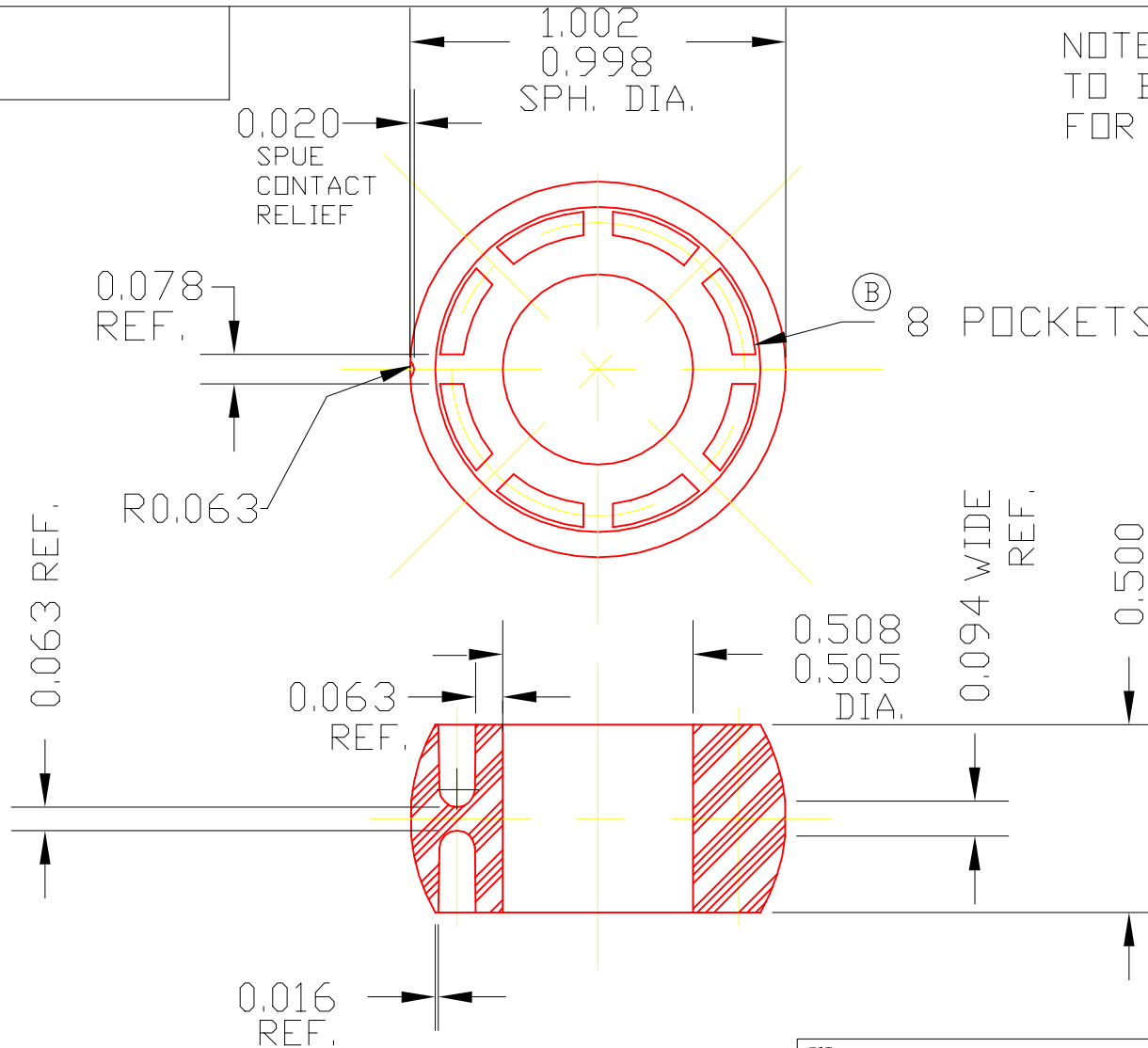


N8

NOTE - PARTING LINE OF DIE  
TO BE IN CENTER OF 0.094 FLAT  
FOR MOLD FIN RELIEF



8 POCKETS-EQUALLY SPACED  
RADIUS CORNERS

DET	PART NUMBER	DESCRIPTION	AMT
A	TRIANGLE MANUFACTURING CO.	OSHKOSH, WI.	
	NAME BEARING BALL-PLASTIC		
	USED IN N SERIES		
	DATE 8-9-65	PART NO.	
	DRAWN LML	N8	
	CHECKED ////		
	SCALE 2 / 1		

FIT	////
PLATING	////
MATERIAL	NYLON #101
ALL DIMS ±.020 UNLESS SPECIFIED	

CHANGE LEVEL
C 02-21-94