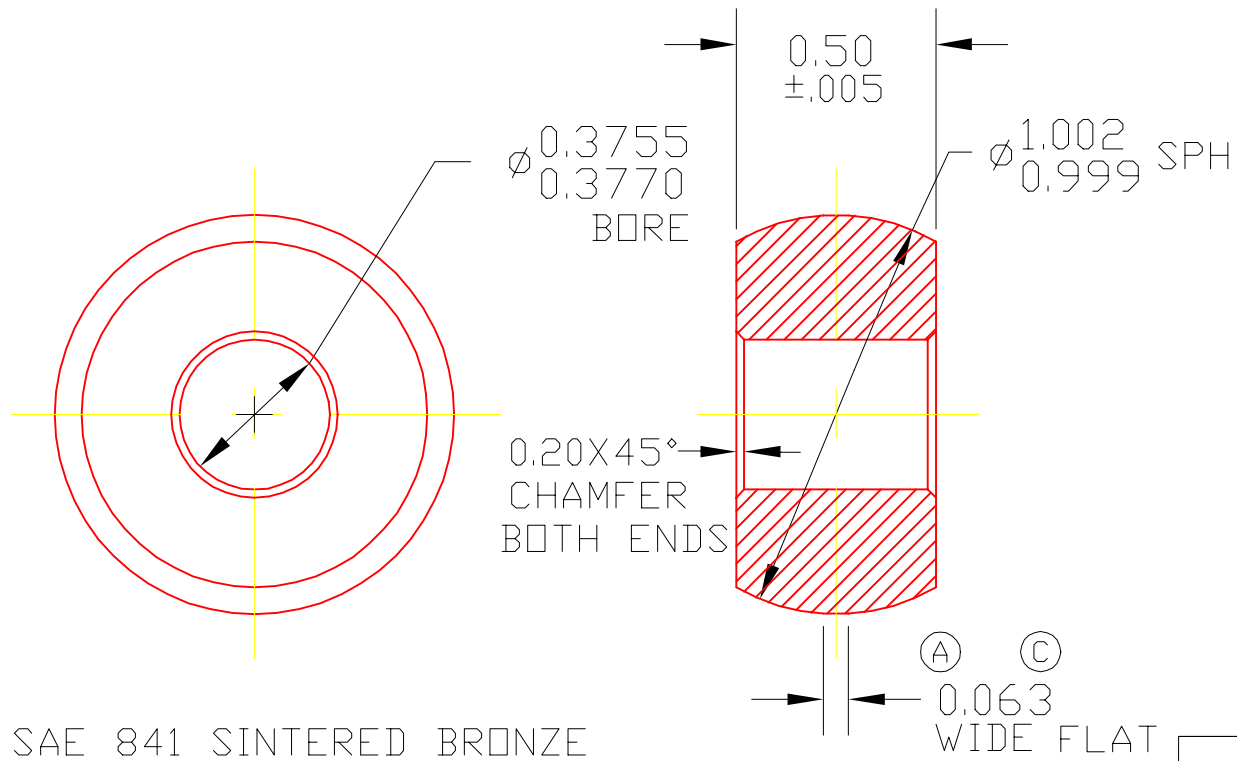


1406P



② MAT'L SAE 841 SINTERED BRONZE
IMPREGNATED WITH #30 TURBINE OIL
SLIGHT OIL FILM ALLOWABLE
MPIF CT-1000-K26

DET	PART NUMBER	DESCRIPTION	AMT
△	TRIANGLE MANUFACTURING CO. OSHKOSH, WI.		
NAME BEARING BALL			
USED IN 14- SERIES			
DATE	12-12-66	PART NO.	
DRAWN	LML	1406P	
CHECKED	MJK		
SCALE	2 / 1		

FIT	////
PLATING	////
MATERIAL	PURCHASE*
ALL DIMS. ±.020 UNLESS OTHERWISE SPECIFIED	

CHANGE LEVEL
C 10-01-97