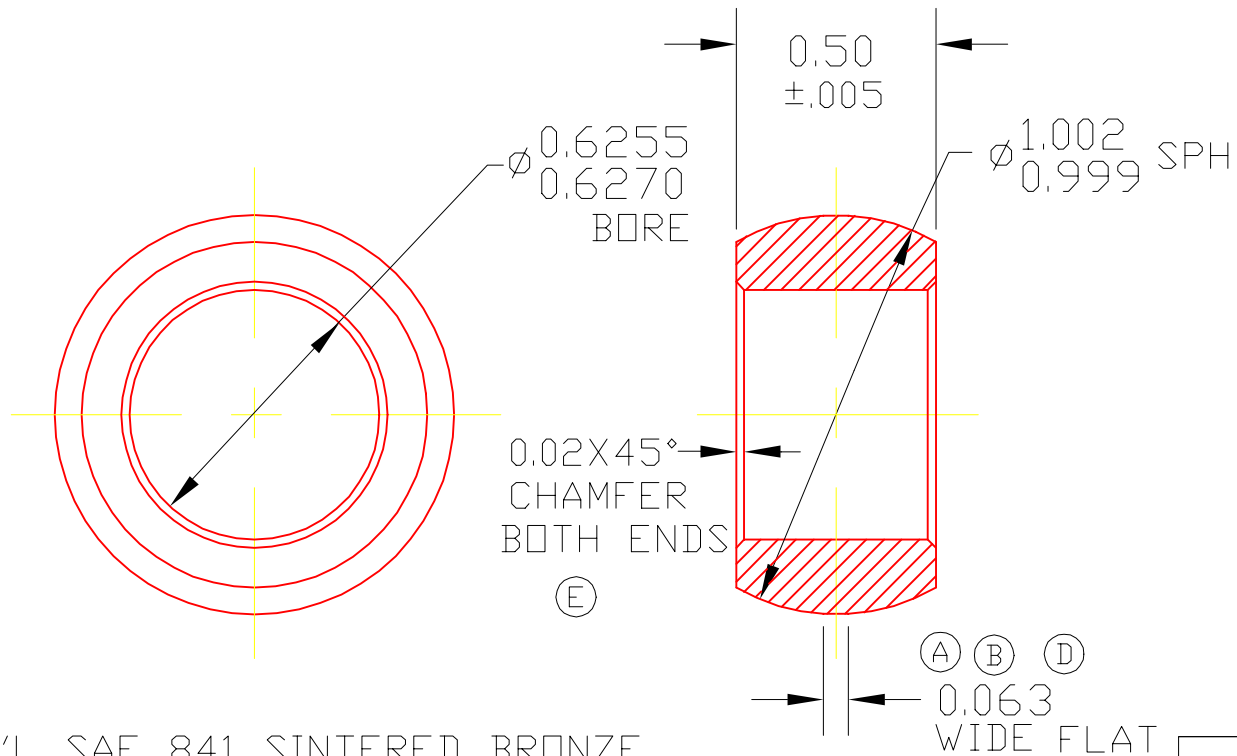


1410P



©

MAT'L SAE 841 SINTERED BRONZE
 IMPREGNATED WITH #30 TURBINE OIL
 SLIGHT OIL FILM ALLOWABLE
 MPIF CT-1000-K26

FIT	////
PLATING	////
MATERIAL	PURCHASE*
ALL DIMS. ±.020 UNLESS OTHERWISE SPECIFIED	

DET	PART NUMBER	DESCRIPTION	AMT
		△ TRIANGLE MANUFACTURING CO. OSHKOSH, WI.	
		NAME BEARING BALL	
		USED IN 14- SERIES	
	DATE 12-12-66	PART NO.	
	DRAWN LML		
	CHECKED MJK		
	SCALE 2 / 1		

1410P

CHANGE LEVEL
E 01-25-99