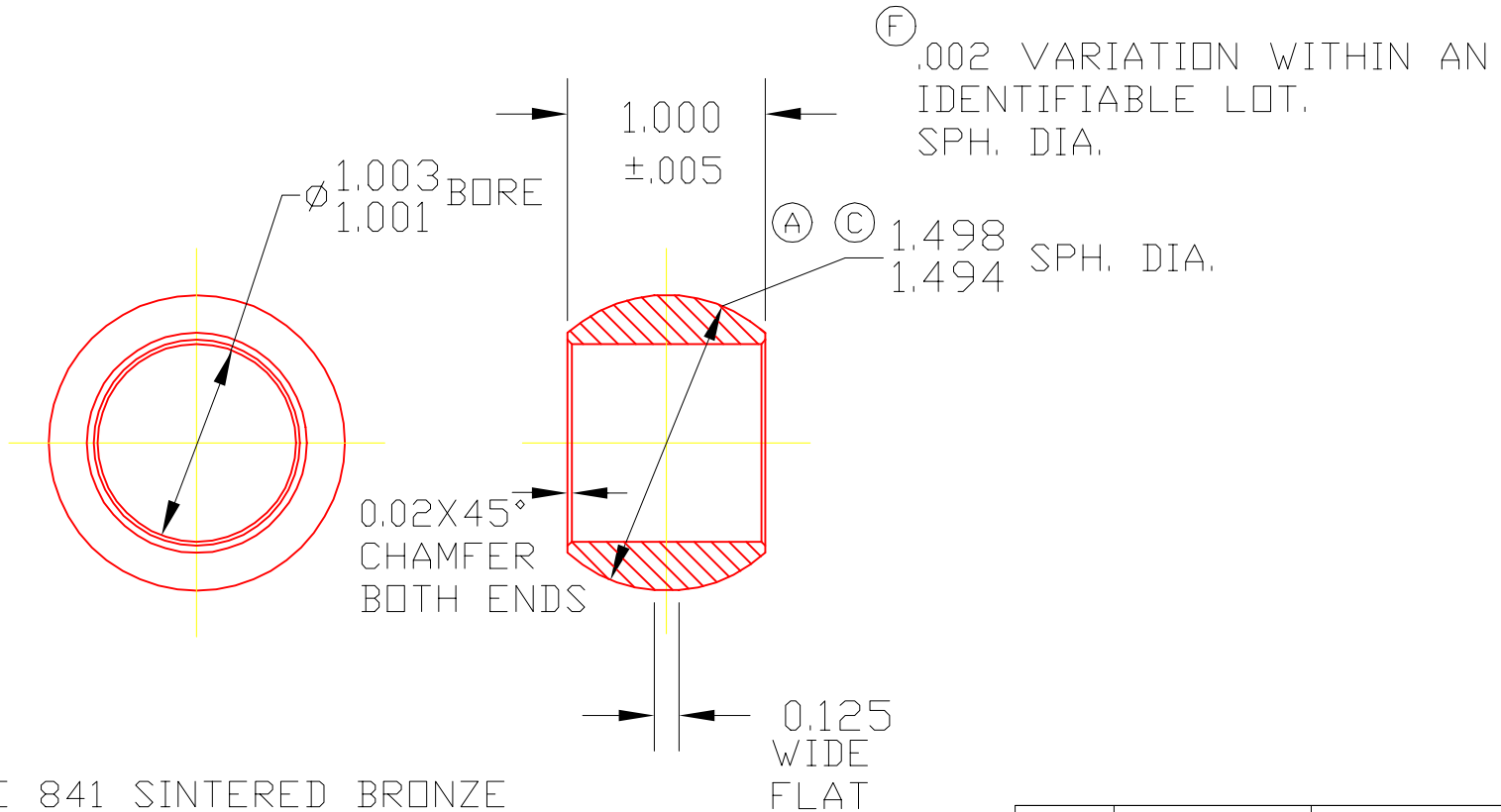


4016P



(E)
 MAT'L SAE 841 SINTERED BRONZE
 IMPREGNATED WITH #30 TURBINE OIL
 SLIGHT OIL FILM ALLOWABLE
 MPIF CT-1000-K26

DET	PART NUMBER	DESCRIPTION	AMT
		Δ TRIANGLE MANUFACTURING CO. OSHKOSH, WI.	
		NAME BEARING BALL	
		USED IN 40- SERIES	
	DATE 9-14-67	PART NO.	
	DRAWN LML		
	CHECKED MJK		
	SCALE 1 / 1		

FIT	////
PLATING	////
MATERIAL	SEE NOTE*
ALL DIMS.	$\pm .020$ UNLESS OTHERWISE SPECIFIED

CHANGE LEVEL	
F	07-23-93

4016P