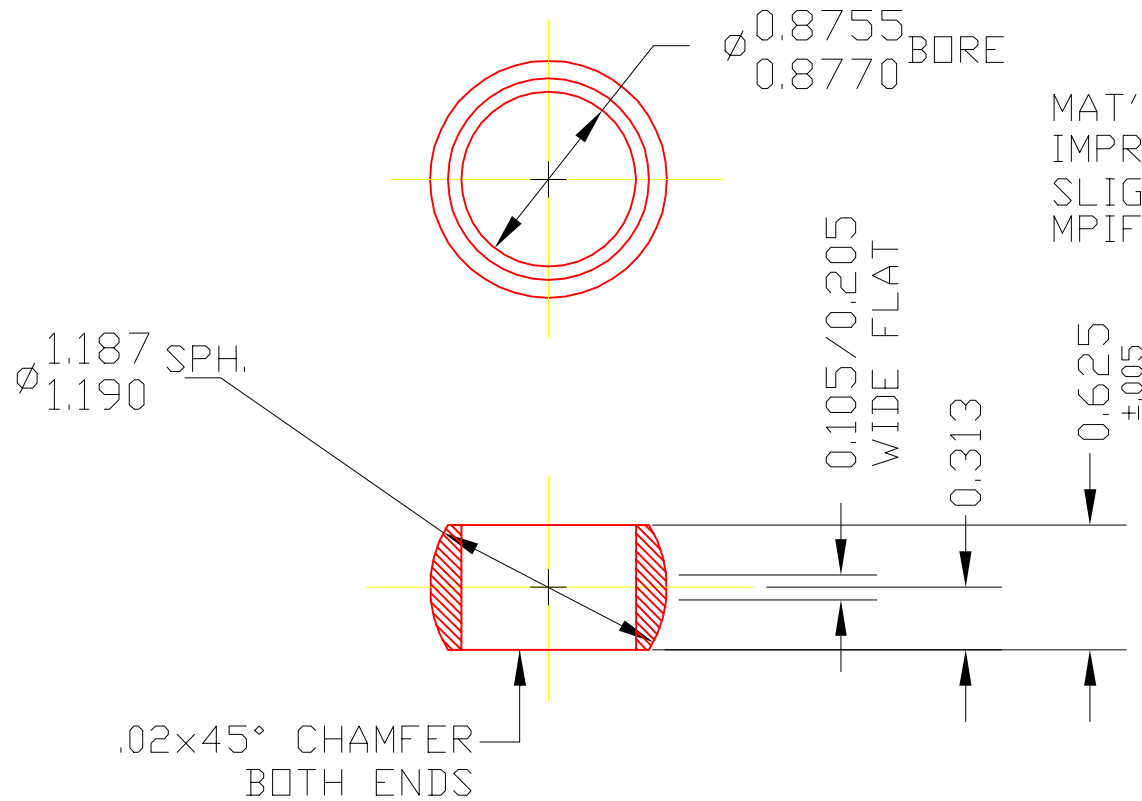


B14



MAT'L SAE 841 SINTERED BRONZE
 IMPREGNATED WITH #30 TURBINE OIL
 SLIGHT OIL FILM ALLOWABLE
 MPIF CT-1000-K26

DET	PART NUMBER	DESCRIPTION	AMT
A		TRIANGLE MANUFACTURING CO. OSHKOSH, WI.	
		NAME BRG BALL PM	
		USED IN B SERIES	
	DATE 09-02-99	PART NO.	
	DRAWN DR		
	CHECKED ////		
	SCALE 1 / 1		

FIT	////
PLATING	NONE
MATERIAL	SEE NOTE *
ALL DIMS $\pm .020$ UNLESS SPECIFIED	

CHANGE LEVEL	
/	////

B14