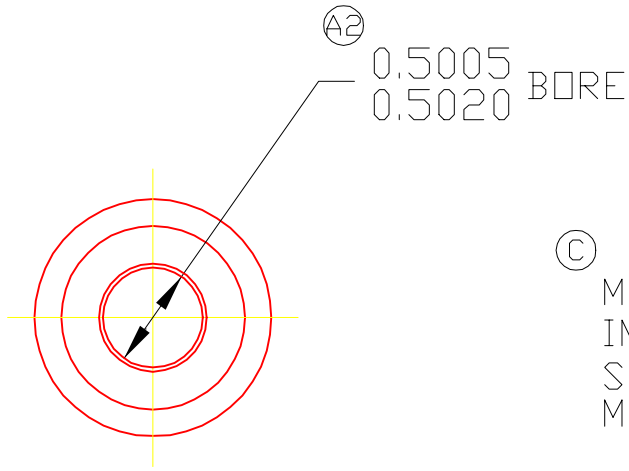
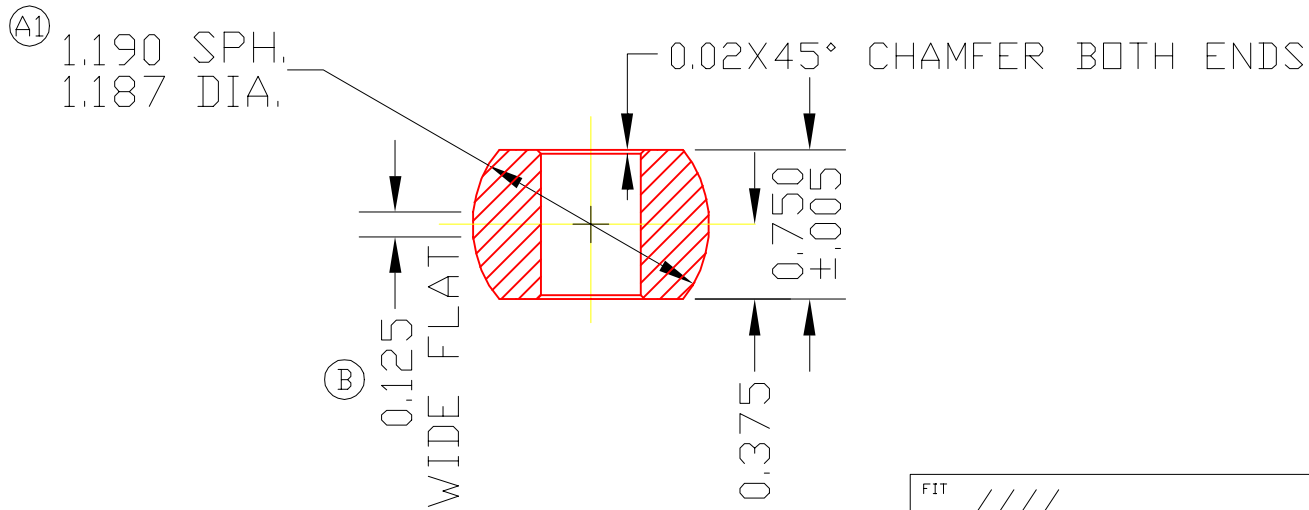


B8



③ MAT'L SAE 841 SINTERED BRONZE  
IMPREGNATED WITH #30 TURBINE OIL  
SLIGHT OIL FILM ALLOWABLE  
MPIF CT-1000-K26



DET	PART NUMBER	DESCRIPTION	AMT
A	TRIANGLE MANUFACTURING CO. OSHKOSH, WI.		
NAME BRG. BALL PM			
USED IN B SERIES			
DATE 1-28-64		PART NO.	
DRAWN SP		B8	
CHECKED SP			
SCALE 1 / 1			

FIT	////
PLATING	////
MATERIAL	SEE NOTE*
ALL DIMS ±.02 UNLESS SPECIFIED	

CHANGE LEVEL
C 06-17-93