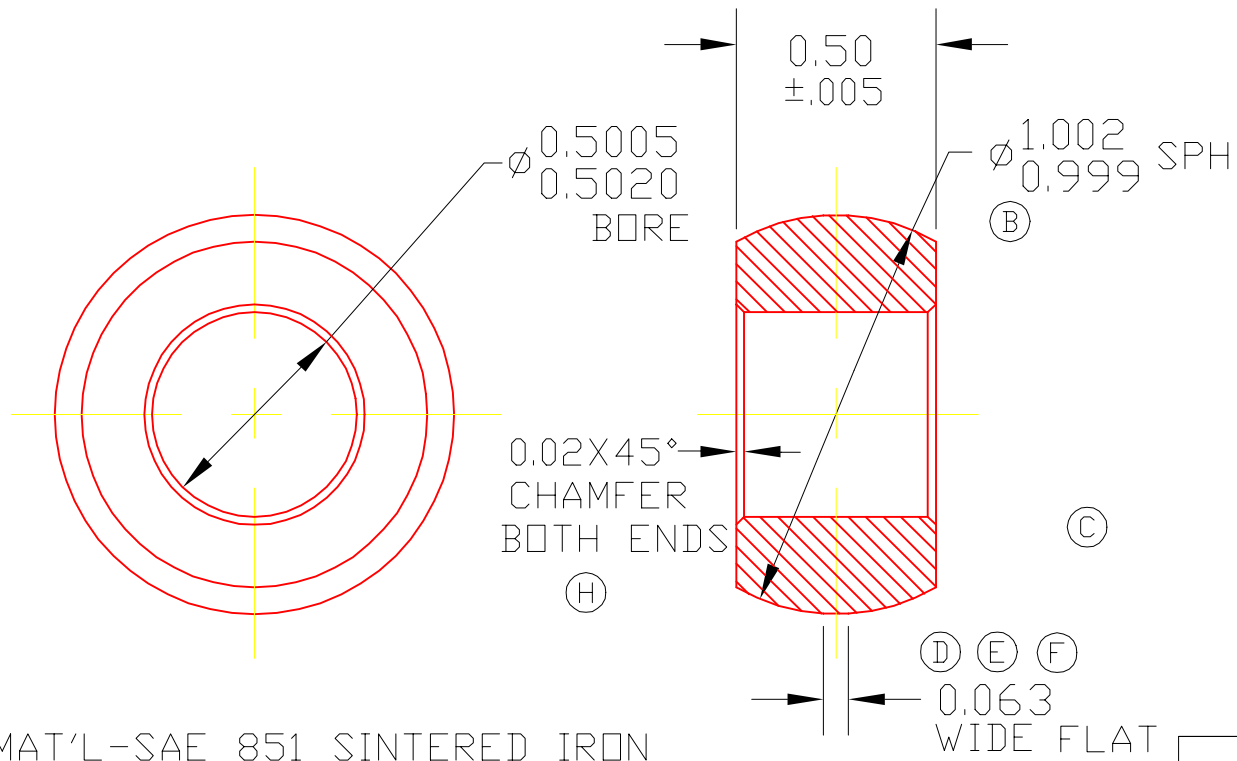


1508P



(G) MAT'L-SAE 851 SINTERED IRON
 IMPREGNATED WITH #30 TURBINE OIL
 SLIGHT OIL FILM ALLOWABLE
 MPIF F-0005-15

DET	PART NUMBER	DESCRIPTION	AMT
A	TRIANGLE MANUFACTURING CO.	OSHKOSH, WI.	
NAME BEARING BALL			
USED IN 15- SERIES			
DATE	11-15-65	PART NO.	
DRAWN	LML	1508P	
CHECKED	MJK		
SCALE	2 / 1		

FIT	////
PLATING	////
MATERIAL	SEE NOTE*
ALL DIMS. $\pm .020$ UNLESS OTHERWISE SPECIFIED	

CHANGE LEVEL
H 01-25-99