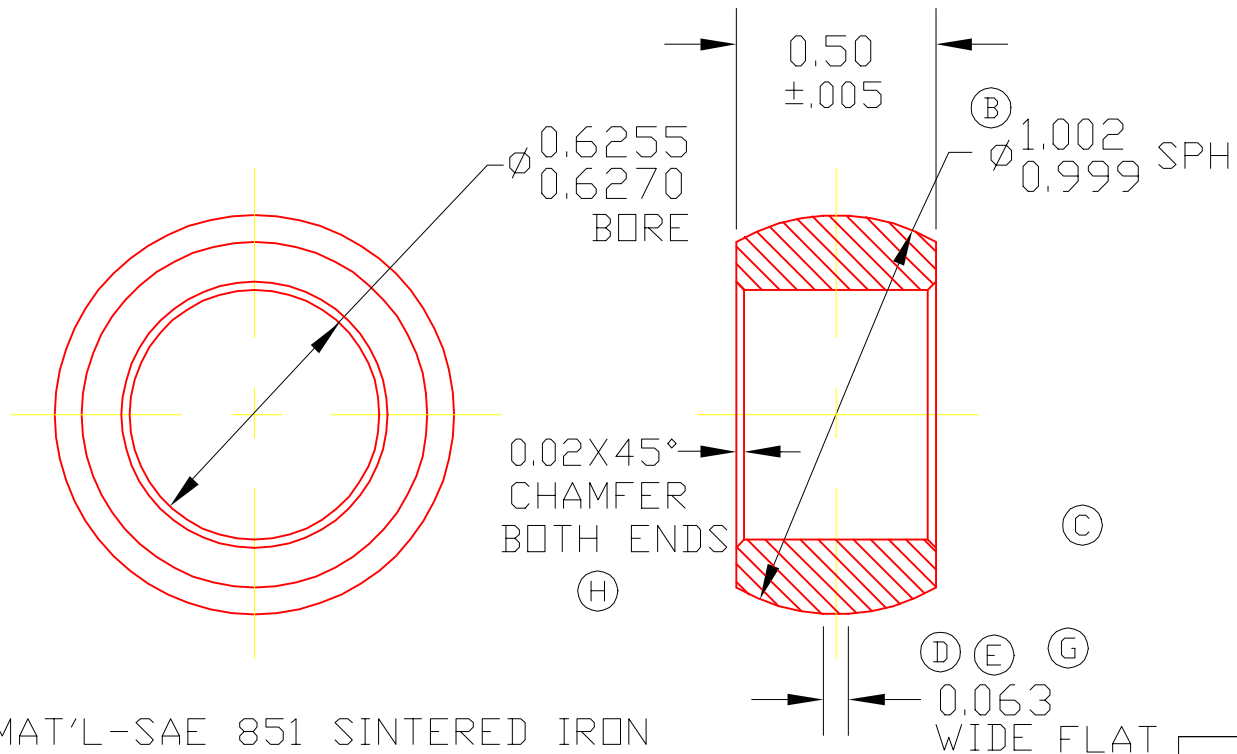


1510P



(F) MAT'L-SAE 851 SINTERED IRON  
 IMPREGNATED WITH #30 TURBINE OIL  
 SLIGHT OIL FILM ALLOWABLE  
 MPIF F-0005-15

FIT	////
PLATING	////
MATERIAL	SEE NOTE*
ALL DIMS. ±0.020 UNLESS OTHERWISE SPECIFIED	

DET	PART NUMBER	DESCRIPTION	AMT
		TRIANGLE MANUFACTURING CO. OSHKOSH, WI.	
		NAME BEARING BALL	
		USED IN 15- SERIES	
	DATE 11-15-65	PART NO.	
	DRAWN LML		
	CHECKED MJK		
	SCALE 2 / 1		

1510P

CHANGE LEVEL
H 01-25-99