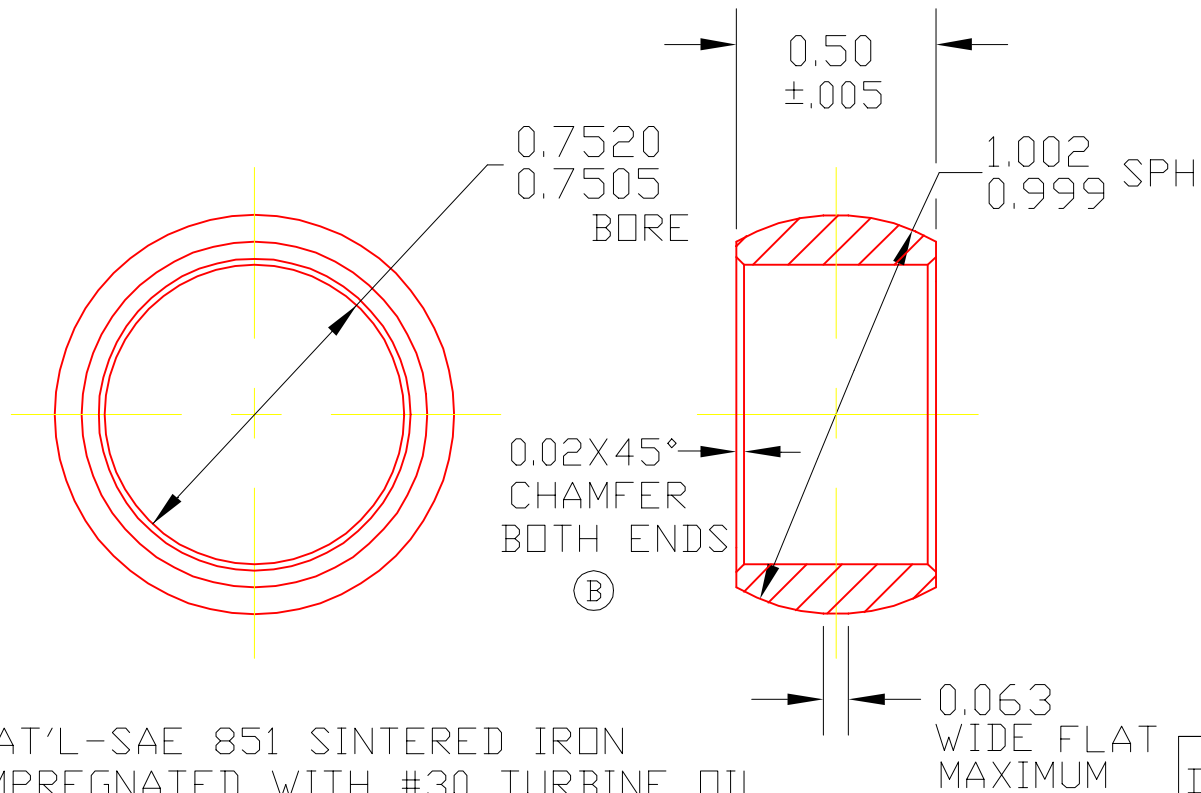


1512P



(A)

MAT'L-SAE 851 SINTERED IRON
IMPREGNATED WITH #30 TURBINE OIL
SLIGHT OIL FILM ALLOWABLE
MPIF F-0005-15

(B)

DET	PART NUMBER	DESCRIPTION	AMT
A	TRIANGLE MANUFACTURING CO.	OSHKOSH, WI.	
NAME BEARING BALL			
USED IN 15- SERIES			
DATE	06-10-92	PART NO.	
DRAWN	SP	1512P	
CHECKED	SP		
SCALE	2 / 1		

FIT	////
PLATING	////
MATERIAL	SEE NOTE*
ALL DIMS. ±.020 UNLESS OTHERWISE SPECIFIED	

CHANGE LEVEL
B 01-25-99