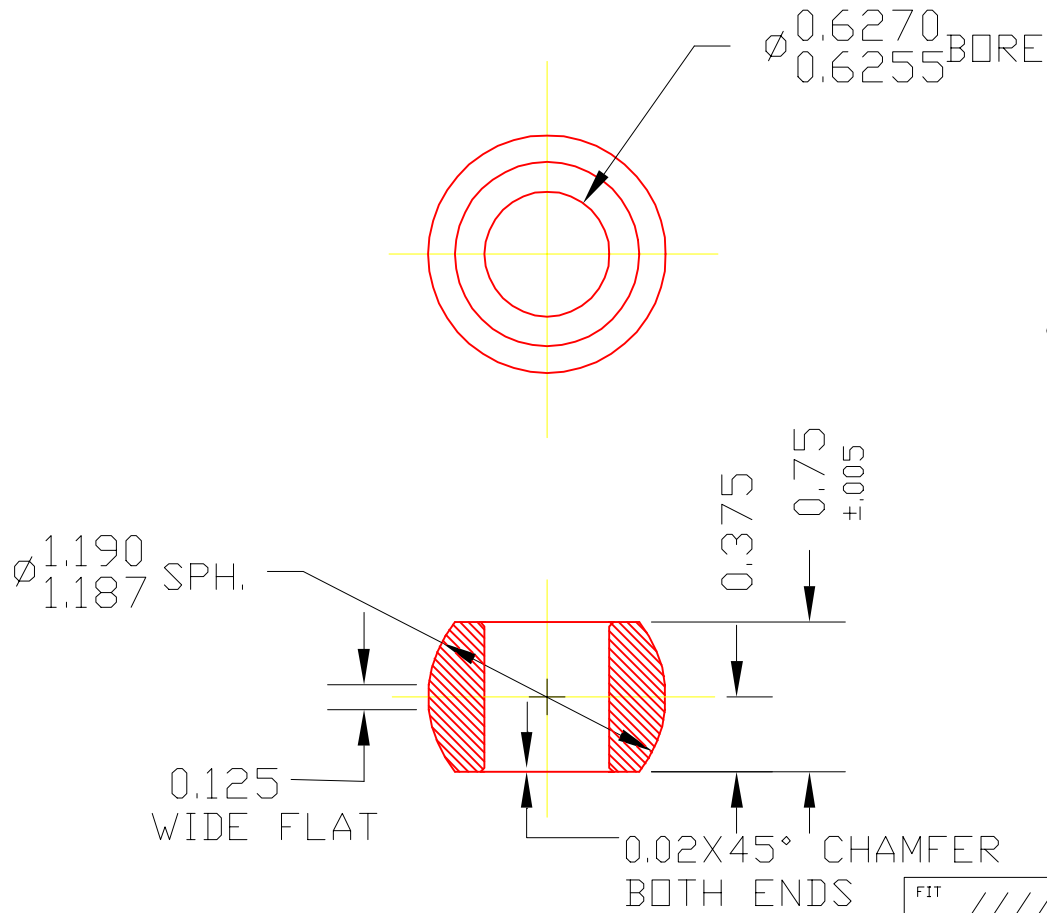


W10



(I) MAT'L-SAE 851 SINTERED IRON
 IMPREGNATED WITH #30 TURBINE OIL
 SLIGHT OIL FILM ALLOWABLE
 MPIF F-0005-15

| DET | PART NUMBER | DESCRIPTION | AMT |
|-----|----------------------------|--------------|-----|
| A | TRIANGLE MANUFACTURING CO. | OSHKOSH, WI. | |
| | NAME BRG. BALL PM | | |
| | USED IN W SERIES | | |
| | DATE 1-11-72 | PART NO. | |
| | DRAWN LML | | |
| | CHECKED SP | | |
| | SCALE 1 / 1 | | |

W10

| CHANGE LEVEL |
|--------------|
| I 06-15-93 |

| | |
|--------------------------------|-----------|
| FIT | //// |
| PLATING | //// |
| MATERIAL | SEE NOTE* |
| ALL DIMS ±.02 UNLESS SPECIFIED | |