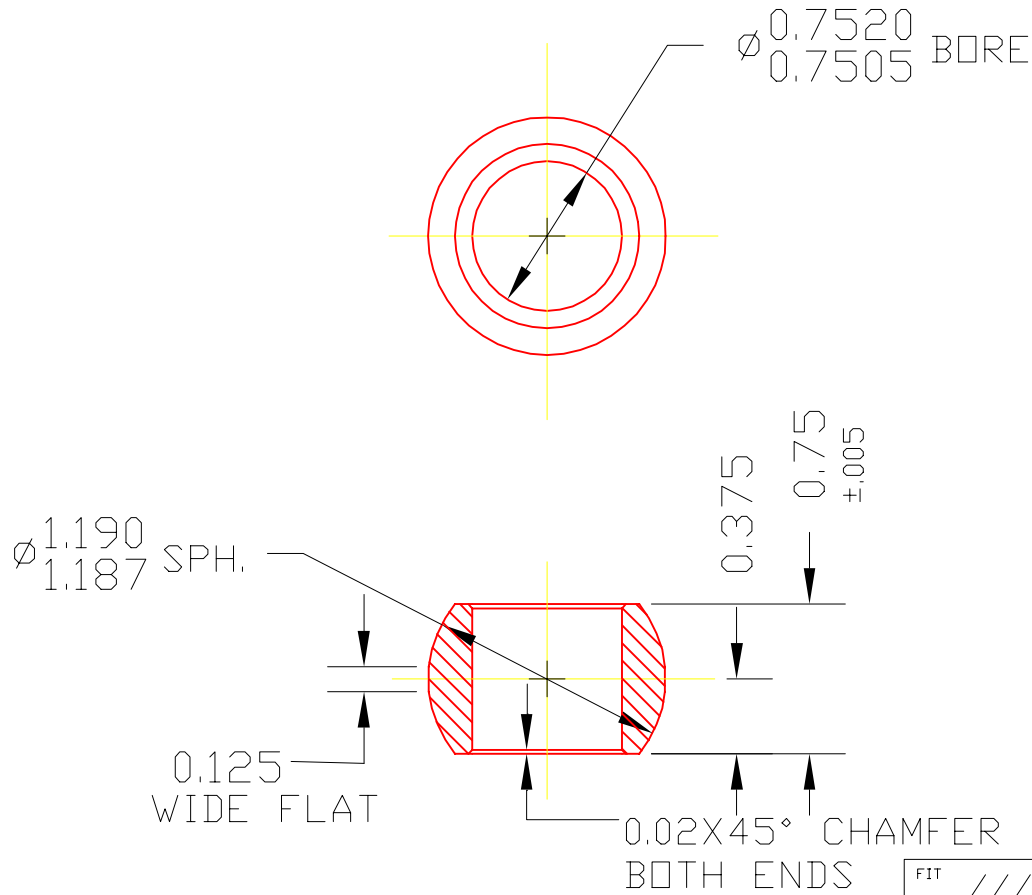


W12



(L) MAT'L-SAE 851 SINTERED IRON  
 IMPREGNATED WITH #30 TURBINE OIL  
 SLIGHT OIL FILM ALLOWABLE  
 MPIF F-0005-15

DET	PART NUMBER	DESCRIPTION	AMT
A		TRIANGLE MANUFACTURING CO. OSHKOSH, WI.	
		NAME BRG. BALL PM	
		USED IN W SERIES	
	DATE 1-11-72	PART NO.	
	DRAWN LML		
	CHECKED SP		
	SCALE 1 / 1		

W12

CHANGE LEVEL
L 06-17-93

FIT	////
PLATING	////
MATERIAL	SEE NOTE*
ALL DIMS $\pm 0.02$ UNLESS SPECIFIED	