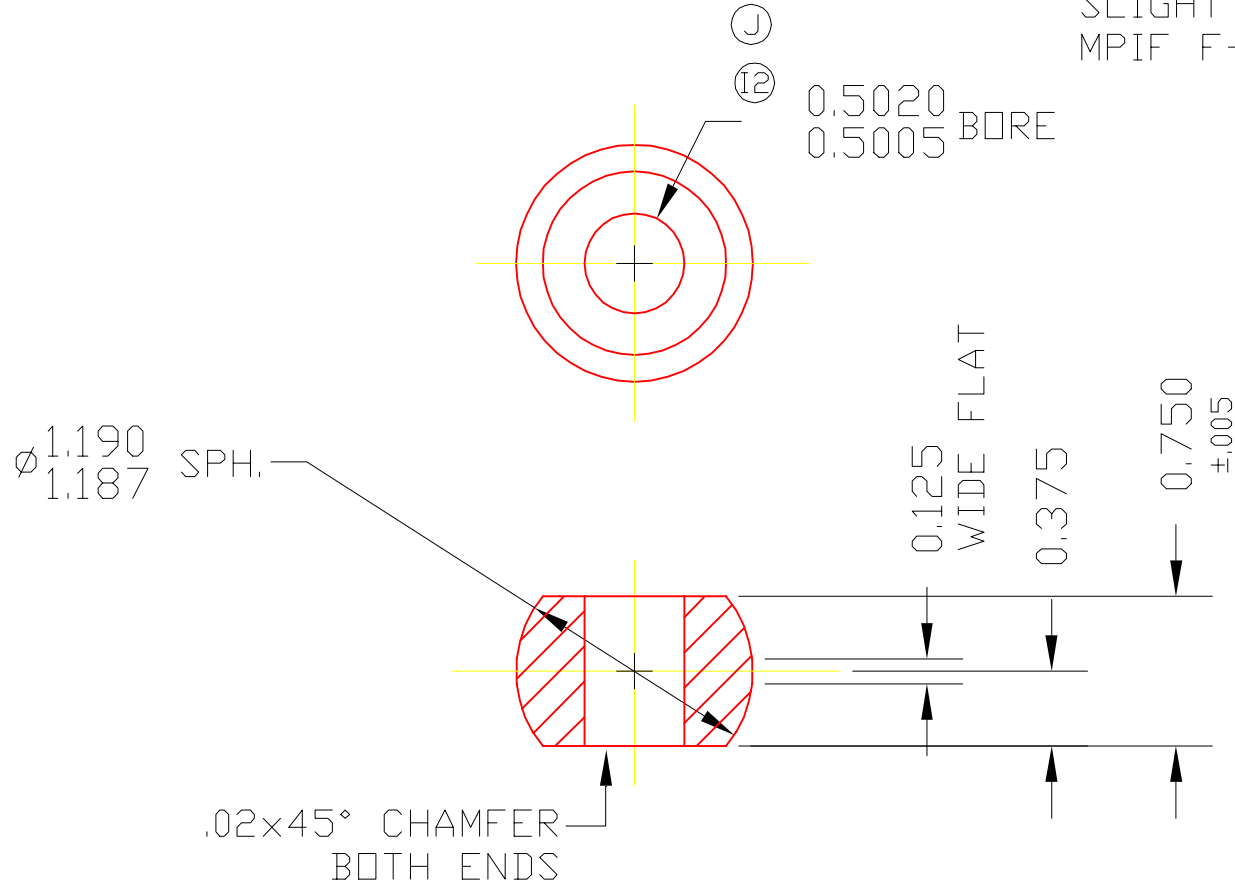


W8

(K) MAT'L-SAE 851 SINTERED IRON  
IMPREGNATED WITH #30 TURBINE OIL  
SLIGHT OIL FILM ALLOWABLE  
MPIF F-0005-15



DET	PART NUMBER	DESCRIPTION	AMT
A		TRIANGLE MANUFACTURING CO. OSHKOSH, WI.	
		NAME BRG BALL PM	
		USED IN W SERIES	
	DATE 1-11-72	PART NO.	
	DRAWN LML		
	CHECKED SP		
	SCALE 1 / 1		

FIT	////
PLATING	NONE
MATERIAL	SEE DETAILS
ALL DIMS ±.020 UNLESS SPECIFIED	

CHANGE LEVEL
K 06-15-93

W8