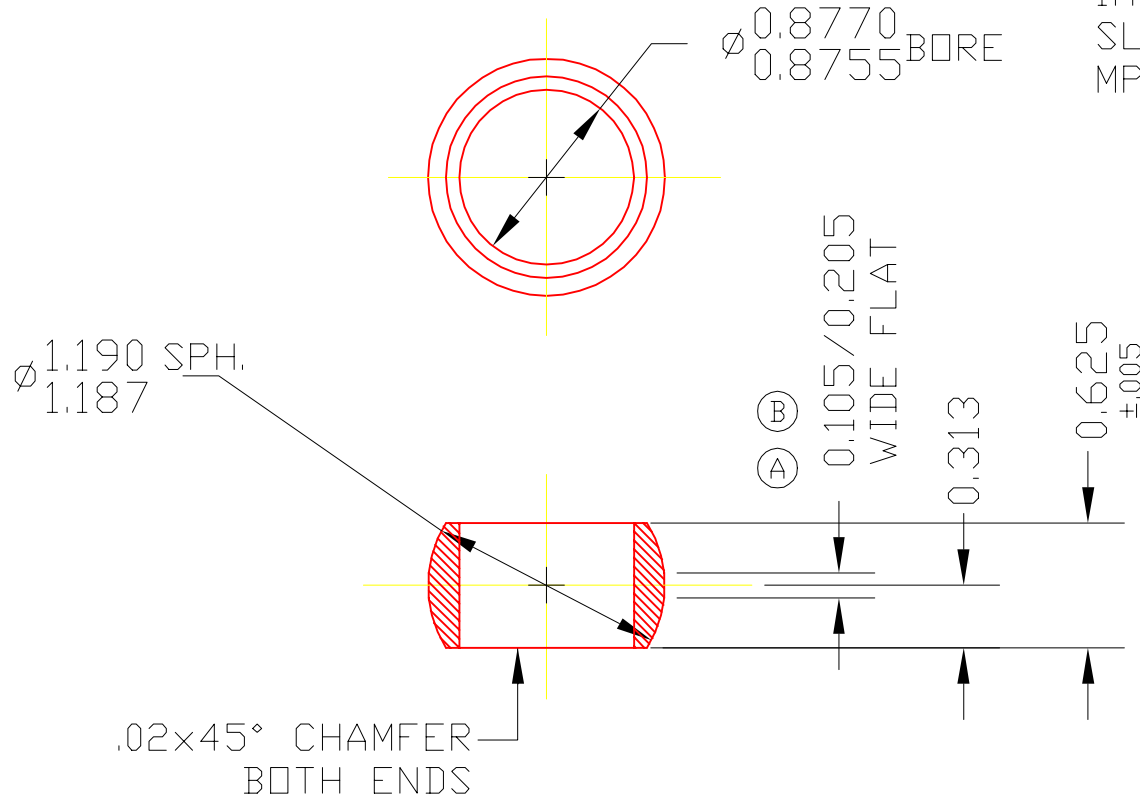


W14

© MAT'L-SAE 851 SINTERED IRON  
 IMPREGNATED WITH #30 TURBINE OIL  
 SLIGHT OIL FILM ALLOWABLE  
 MPIF F-0005-15



DET	PART NUMBER	DESCRIPTION	AMT
		TRIANGLE MANUFACTURING CO. OSHKOSH, WI.	
		NAME BRG BALL PM	
		USED IN W SERIES	
	DATE 10-30-70	PART NO.	
	DRAWN LML		
	CHECKED ////		
	SCALE 1 / 1		

FIT	////
PLATING	NONE
MATERIAL	SEE NOTE *
ALL DIMS ±.020 UNLESS SPECIFIED	

CHANGE LEVEL
C 06-18-93

W14